



FEED AND BIOFUEL
CONDITIONER
TYPES CRT1101 AND 1101K

The ANDRITZ CRT conditioner is designed to be mounted directly above the pellet mill/extruder. Feed compounds must be conditioned

correctly for pelleting/extrusion in order to obtain high-quality pellets and efficient utilization of the pelleting/extrusion installation.

ANDRITZ

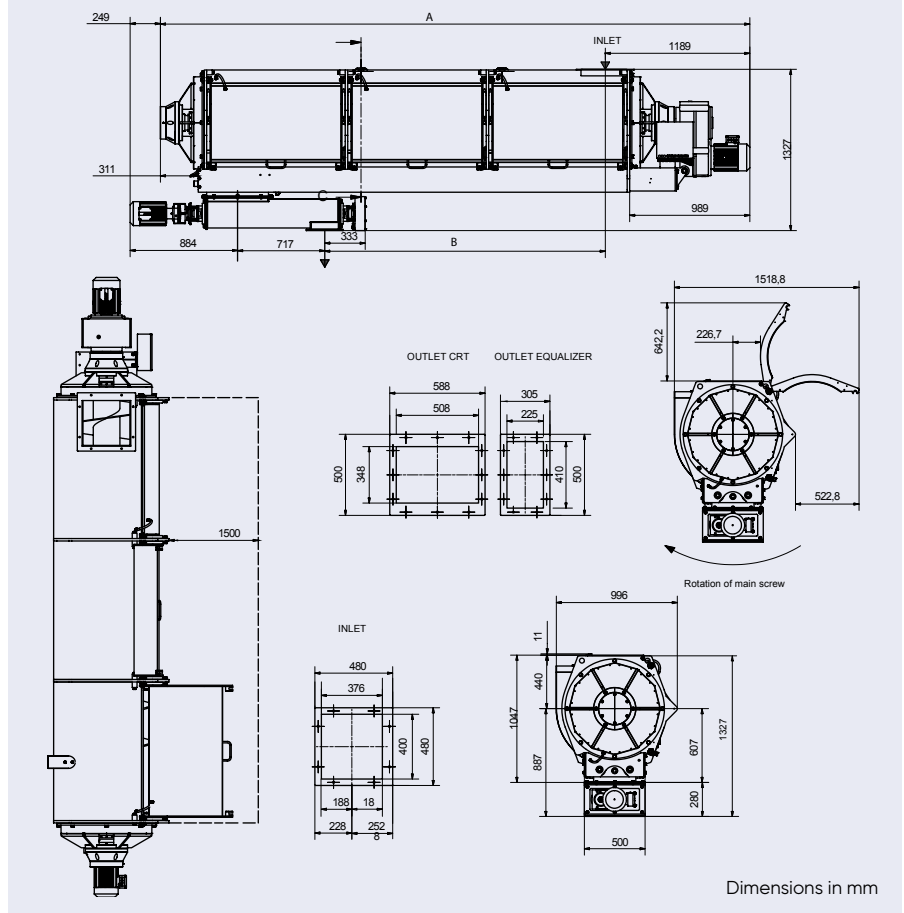
ENGINEERED SUCCESS

THE CRT CONDITIONERS

PROVIDE:

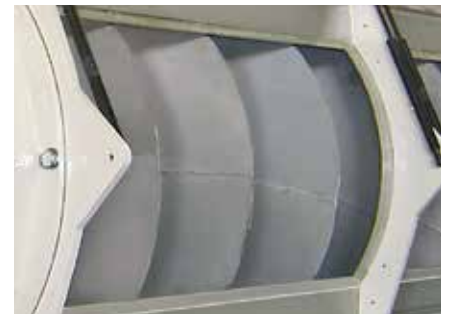
- Time for steam and other liquids to be absorbed – typically operating at 2–4 min.
- Pasteurization to provide sufficient time to ensure uniform distribution of heat
- Material flow: first-in first-out principle
- High filling level
- Conditioning at temperatures up to 95 °C
- Formatting to eliminate common salmonella strains and similar bacteria
- Uniform pellet product, good absorption, few blockages and smooth running
- A self-cleaning stainless steel equalizer screw provides even flow to the pellet mill
- Total process monitoring – real-time process control measurement of temperature and retention time can be backed up by process audit reports and management reporting.

Dimension sketch example: CRT1101



TECHNICAL DATA

Conditioner	Number of doors		Diameter	Max. volume		Max. power 50 Hz		Weight	
	A	B		L	cu. ft.	kW	HP		
CRT1101	4850	2309	3	750	1269	36	4	5.5	2195
CRT1101K	6010	3469	4	750	1728	49	4	5.5	2561



ANDRITZ Feed and Biofuel A/S

andritz-fb.dk@andritz.com

p: +45 72 160 300 / andritz.com/ft



All data, information, statements, photographs and graphic illustrations in this leaflet are without any obligation and raise no liabilities to or form part of any sales contracts of ANDRITZ AG or any affiliates for equipment and/or systems referred to herein. © ANDRITZ AG 2021. All rights reserved. No part of this copyrighted work may be reproduced, modified or distributed in any form or by any means, or stored in any database or retrieval system, without the prior written permission of ANDRITZ AG or its affiliates. Due to legal requirements, we must inform you that ANDRITZ AG processes your data for the purposes informing you about the ANDRITZ GROUP and its activities. Find out more details about our data privacy declaration and your rights under the data protection legislation on our website: andritz.com/privacy. ANDRITZ AG, Statterger Strasse 18, 8045 Graz, Austria.



1268 GB

B 0718