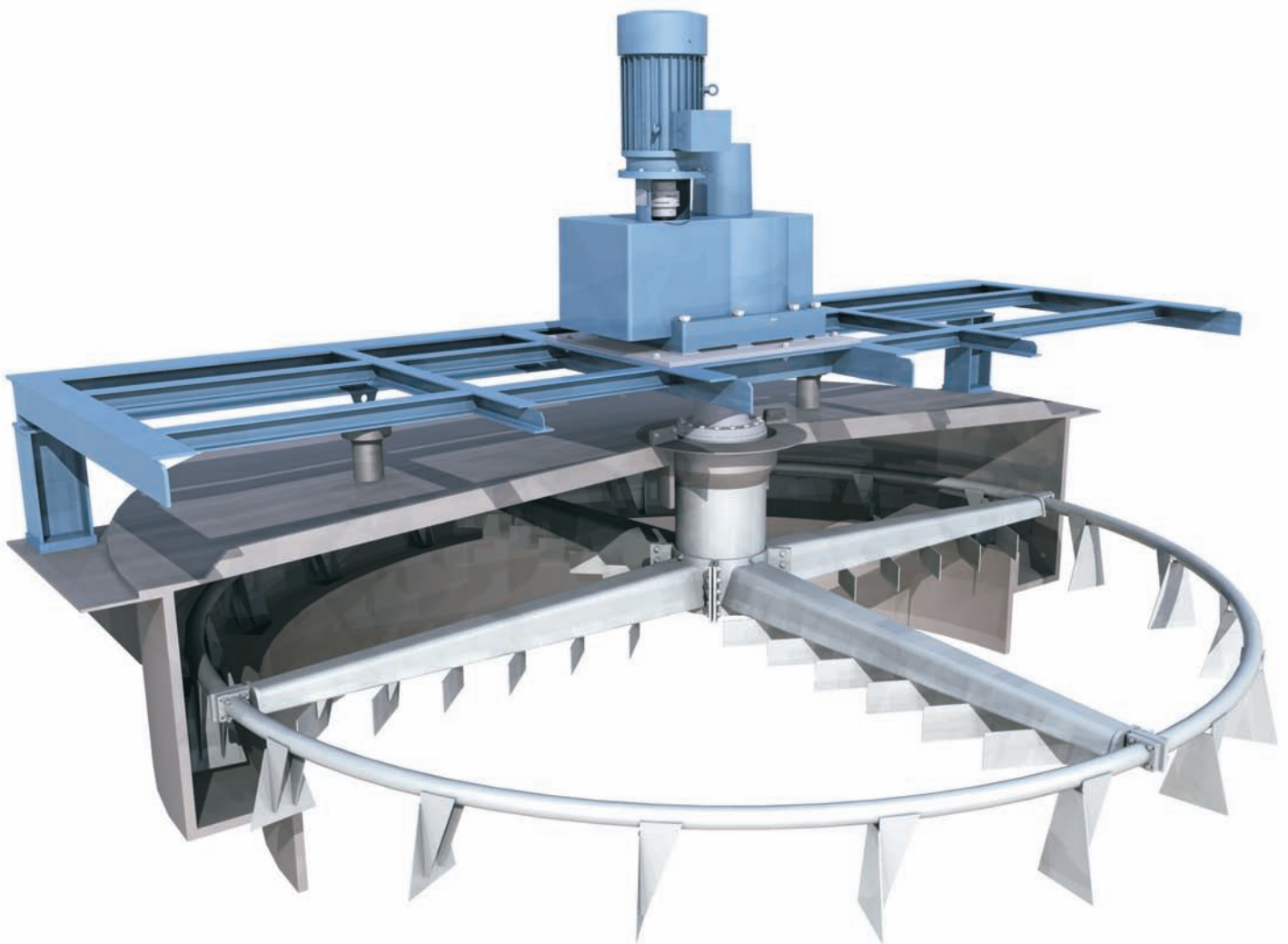


Tower Top Scraper ATS-MC

Reliable medium consistency reactor discharge



Tower Top Scraper ATS-MC

Sizes

Size	Tower diameter (mm)
ATS-MC26	2,600
ATS-MC28	2,800
ATS-MC30	3,000
ATS-MC32	3,200
ATS-MC36	3,600
ATS-MC40	4,000
ATS-MC44	4,400
ATS-MC48	4,800
ATS-MC52	5,200
ATS-MC56	5,600
ATS-MC60	6,000
ATS-MC64	6,400
ATS-MC68	6,800
ATS-MC72	7,200



Stable reactor discharge

The Tower Top Scraper ATS-MC is designed to ensure a stable, disturbance-free discharge of an atmospheric pressure tower. A continuous flow to the discharge chute is maintained by the optimum number of blades installed to the sector ring in the periphery of the discharge scraper.

A stable and continuous flow from the bleaching tower makes it possible to feed the subsequent washer directly without an intermediate MC pump or transfer screw.

Wide operating rate

The Tower Top Scraper ATS is easy to

operate. It discharges a bleaching tower from zero up to the maximum flow without additional attention.

Sturdy design

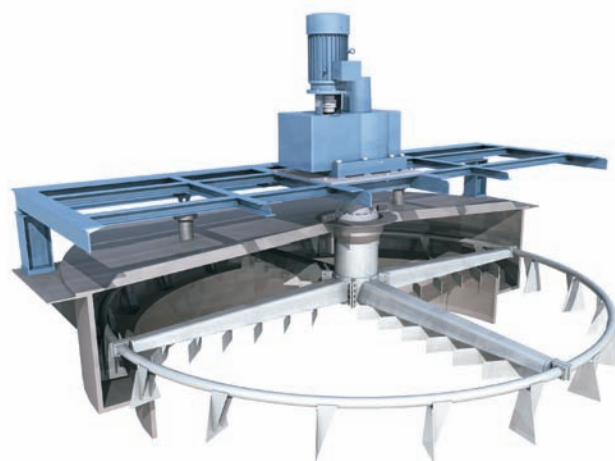
Thanks to its simple and sturdy design, the Tower Top Scraper ATS has a long operating life with virtually maintenance-free operation.

Easy installation

The Top Scraper is easy to install and requires only a minimum downtime. It is available in several sizes which makes it easy to fit into the required reactor diameter.

Benefits

- Stable reactor discharge
- Wide operating rate
- Sturdy design
- Easy installation



ANDRITZ Oy
Kotka, Finland
Phone: +358 20 450 5555

ANDRITZ K.K.
Tokio, Japan
Phone: +81 3 3536 9700

ANDRITZ AB
Karlstad, Sweden
Phone: +46 54 771 4500

ANDRITZ Inc.
Roswell (Atlanta), GA, USA
Phone: +1 770 640 2500

ANDRITZ BRASIL Ltda.
Curitiba, Brazil
Phone: +55 41 2103 7611

ANDRITZ TECHNOLOGIES Ltd.
Foshan, China
Phone: +86 757 8296 9222

www.andritz.com
fiberline@andritz.com