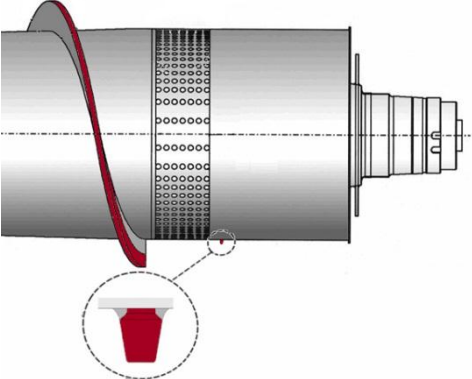
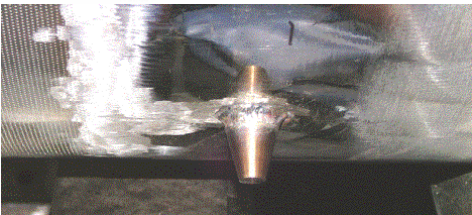


Service Information

Discharge scraper pin for screw press

Model(s)	SCP (ANDRITZ)
Machine	SCP (Pulp screw press)
Machine group	Dewatering equipment
<h3>The challenge</h3>	<p>High operational reliability</p> <p>If the screw press runs at a very high dryness level or with long fiber the pulp is maybe too heavily compressed and becomes too hard. If this occurs plugging of the screw press is unavoidable.</p> <p>In this case the machine has to be stopped. Someone has to dismount the baskets of the high-pressure zone and has to manually hose down the inside with a high-pressure cleaner.</p>
<h3>The ANDRITZ solution</h3> <p>Contact: ANDRITZ AG, Graz, Austria Phone: +43 (316) 6902 pulppaper-service@andritz.com</p>	<p>Discharge scraper pin</p> <p>To avoid machine shut-downs due to plugging of the pulp ANDRITZ offers the discharge scraper pin.</p> <p>The pin is welded onto the screw shaft at the end of the high-pressure zone.</p> <p>As soon as the pulp gets too hard and shows a tendency to plug the pin rips the pulp which guarantees a smooth discharge.</p> <p>This enables constant and smooth discharge also at very high dryness levels.</p>  

Service Information

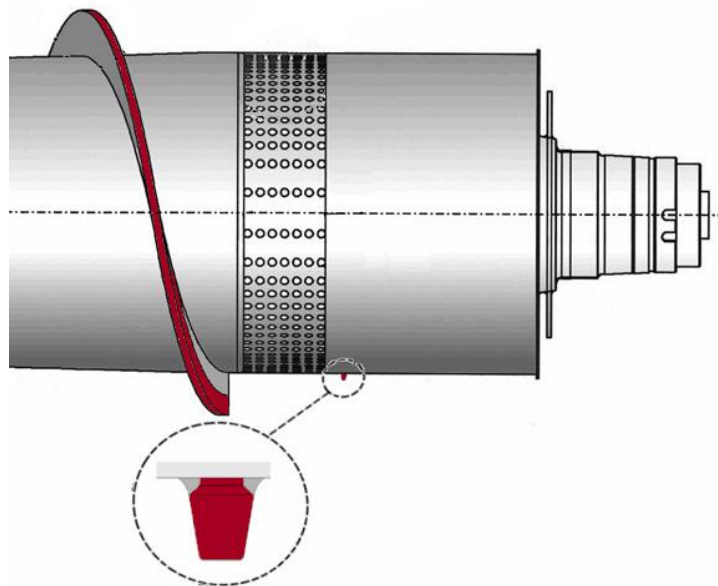
Discharge scraper pin for screw press

Benefits and features



Discharge scraper pin for high operational reliability

Eliminate the risk of plugging by using the ANDRITZ discharge scraper pin in your pulp screw press!



Your benefits:

- **Cost savings for maintenance**
due to no plugging of the pulp
- **Higher wear resistance**
due to stellite or hard metal design