

# SpeedWasher

## De-ashing



# SpeedWasher

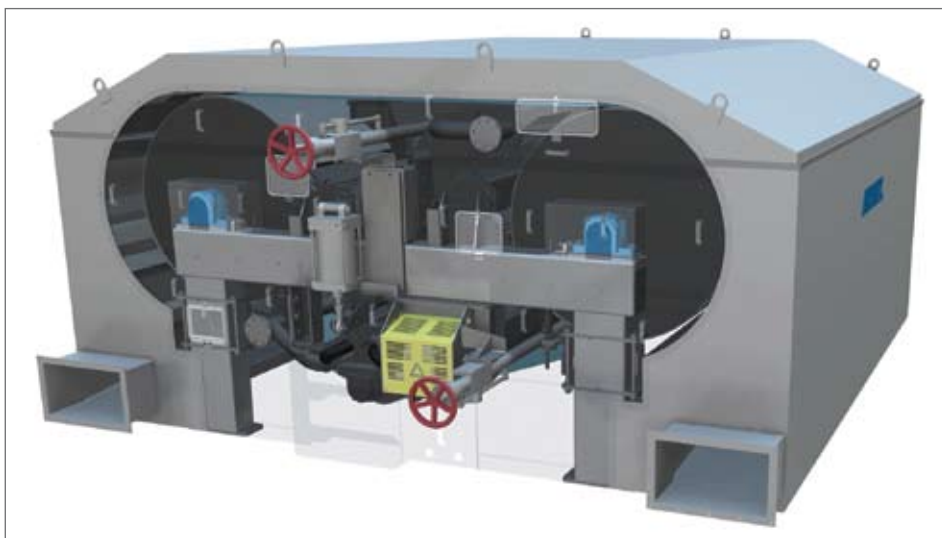
## Efficient and selective de-ashing

The ANDRITZ SpeedWasher is used for removal of inorganic material (filler and coating pigments) from a fiber suspension.

The machine is a device with an endless wire, running at a speed of up to 1000 m/min.

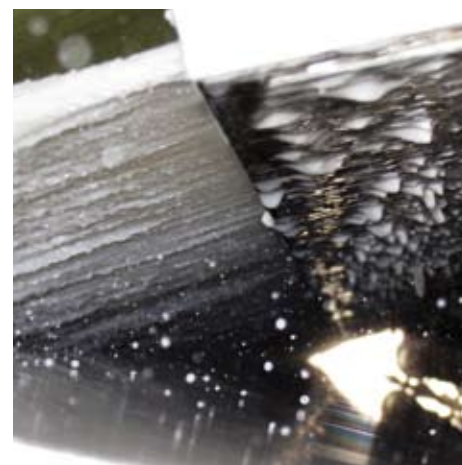
The de-ashing effect results from one-sided dewatering of the fiber suspension between a forming roll and the wire.

Pigments are enriched in the filtrate which is de-aerated and discharged by means of spin tubes. The thickened, de-ashed stock builds a fiber mat, is doctored off the rolls and transported out of the machine by a screw conveyor.



### Benefits

- **High de-ashing capability and discharge consistency due to strong thickening effect**
- **Low energy demand**
- **Cantilever design for fast and easy change of endless wire**
- **Headboxes with cross-flow distributors and diffuser inserts for optimum pulp distribution and uniform dewatering**
- **Efficient wire cleaning by high pressure needle jet nozzles**
- **Oscillating doctors for gentle pulp take-off from forming rolls**
- **Closed design with vapor hood and splash guards**



SpeedWasher	SWd16	SWd20	SWd25	SWd30	SWd37	SWd45
Working width [mm] / [inch]	3200 / 126	4000 / 157	5000 / 197	6000 / 236	7400 / 291	9000 / 354
Installed power main drive [kW] / [HP]	37 / 50	45 / 60	55 / 75	75 / 100	90 / 125	90 / 125
Length* [mm] / [inch]	5300 / 209	5700 / 224	6200 / 244	6700 / 264	7400 / 291	8200 / 323
Width [mm] / [inch]	4900 / 193	4900 / 193	5200 / 205	5200 / 205	5500 / 217	5500 / 217
Height [mm] / [inch]	2400 / 95	2400 / 95	2550 / 100	2550 / 100	2700 / 106	2700 / 106

All data subject to change. / \*Excl. required space for wire change.

#### ANDRITZ AG

Graz, Austria  
Phone: +43 (316) 6902 0

#### ANDRITZ OY

Kotka, Finland  
Phone: +358 (20) 450 5555

#### ANDRITZ TECHNOLOGIES LTD.

Foshan, Guangdong, China  
Phone: +86 (757) 8296 9222

#### ANDRITZ INC.

Glens Falls, New York, USA  
Phone: +1 (518) 793 5111

#### ANDRITZ K.K.

Tokyo, Japan  
Phone: +81 (3) 5634 3450

[www.andritz.com](http://www.andritz.com)  
[fiber.prep@andritz.com](mailto:fiber.prep@andritz.com)