

ModuScreen D

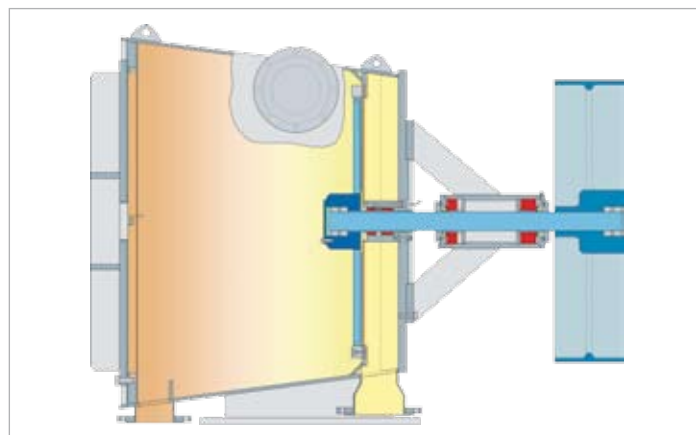
Coarse Screen



ModuScreen D

Where highest deflaking potential is needed

The ANDRITZ ModuScreen D coarse screen can be installed in recycled fiber processing systems where high deflaking potential is required, e.g. for (A)OCC, DLK, etc. The ModuScreen D allows trouble-free operation even with high amounts of contaminants.



Benefits

- **Tangential feed leads to low power consumption**
- **Screen plate with 2.0 - 4.0 mm hole size**
- **Impact blocks create high deflaking potential**
- **Feed consistency up to 5%**
- **Continuous reject flow**
- **Wear protected rotor and screen plates**
- **Heavy reject removal with direct connected junk trap**
- **Conical shaped screen housing for reduced wear**



ModuScreen	D1	D2	D3	D4	D5
Max. installed power [kW]/[rpm]; [HP]/[rpm]	45/1500; 60/1800	75/1500; 100/1800	132/1500; 200/1800	200/1500; 300/1200	250/1500; 350/1200
Length [mm] / [inch]	1567 / 62	1797 / 71	2186 / 86	2585 / 102	2667 / 105
Width [mm] / [inch]	1250 / 49	1400 / 55	1700 / 67	1700 / 67	1800 / 71
Height [mm] / [inch]	1044 / 41	1290 / 51	1604 / 63	1839 / 72	1978 / 78

All data subject to change.

ANDRITZ AG

Graz, Austria
Phone: +43 (316) 6902 0

ANDRITZ OY

Kotka, Finland
Phone: +358 (20) 450 5555

ANDRITZ TECHNOLOGIES LTD.

Foshan, Guangdong, China
Phone: +86 (757) 8296 9222

ANDRITZ INC.

Glens Falls, New York, USA
Phone: +1 (518) 793 5111

ANDRITZ K.K.

Tokyo, Japan
Phone: +81 (3) 5634 3450

www.andritz.com
fiber.prep@andritz.com