

TurboMix

Agitation

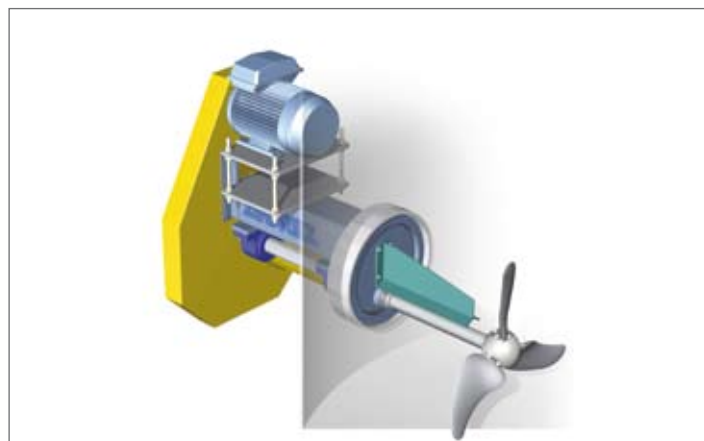


TurboMix Agitator

For efficient mixing

The ANDRITZ TurboMix is a horizontal agitator, suitable for all kind of fibers in chests, tanks and storage towers up to a consistency of 6% in the propeller area. TurboMix is the ideal device for high and effective agitation due to hydraulically optimized propeller blades and conspiring chest shapes and sizes.

The ANDRITZ TurboMix provides highest process flexibility due to adjustable blade angles and wide motor range. Belt drive and universal guard allow quick and easy speed changes. The stuffing box can be replaced without draining the chest.



Benefits

- **Effective agitation at low power consumption**
- **All wetted parts of stainless steel**
- **Packing box gland or mechanical seal available**
- **Propeller is equipped with adjustable and replaceable blades**
- **Guiding plate to increase efficiency (avoids rotation of pulp and reduces power consumption)**



TurboMix	TMX600	TMX800	TMX1000	TMX1300	TMX1600	TMX2000
Propeller diameter [mm] / [inch]	600 / 24	800 / 31	1000 / 39	1300 / 51	1600 / 63	2000 / 79
Maximum propeller speed [min ⁻¹]	320	308	260	200	143	105
Installed maximum power [kW] / [HP]	5.5 / 7	15 / 20	30 / 40	55 / 75	90 / 120	110 / 150
Drive speed [min ⁻¹] (50 Hz)	1000	1000	1000	1000	1500	1500
Drive speed [min ⁻¹] (60 Hz)	1200	1200	1200	1200	1800	1800

All data subject to change.

ANDRITZ AG

Graz, Austria
Phone: +43 (316) 6902 0

ANDRITZ OY

Kotka, Finland
Phone: +358 (20) 450 5555

ANDRITZ TECHNOLOGIES LTD.

Foshan, Guangdong, China
Phone: +86 (757) 8296 9222

ANDRITZ INC.

Glens Falls, New York, USA
Phone: +1 (518) 793 5111

ANDRITZ K.K.

Tokyo, Japan
Phone: +81 (3) 5634 3450

www.andritz.com
fiber.prep@andritz.com