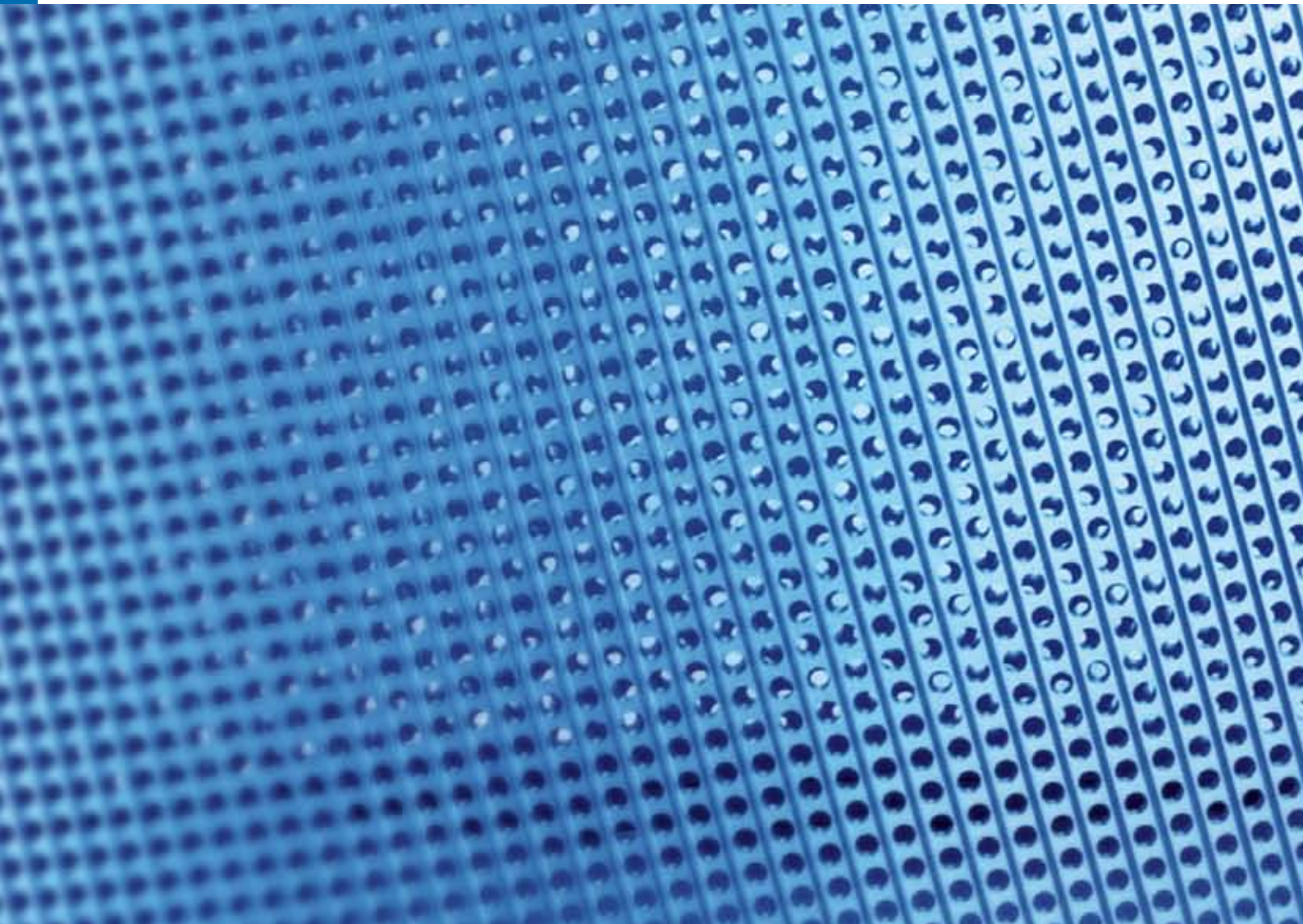


ModuScreen CP

Protection Screen



ModuScreen CP

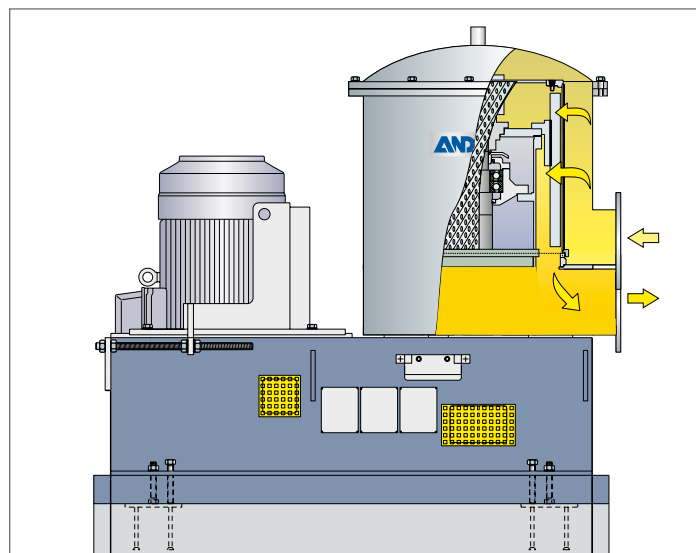
The most efficient protection screen

The ANDRITZ ModuScreen CP has been developed to act as a “protection screen” to be positioned before deflaking and refining in stock preparation and paper machine approach systems.

It has a high efficiency and will remove heavy impurities which may still be in the process after the pulper.

The unique design, which includes a rotating screen cylinder, can operate at high consistency, with high capacity and low power consumption.

The heavy particles are collected in a junk trap and rejected intermittently.



Benefits

- **Rotating screen cylinder with inflow design – the best solution for heavy particle removal**
- **Efficient but gentle screening action and low power consumption**
- **Intermittent rejecting keeping good fiber losses to a minimum**



ModuScreen	CP21	CP41	CP61	CP81	
Height* [mm] / [inch]	2000 / 79	2350 / 93	2650 / 104	2950 / 116	
Height (maintenance)** [mm] / [inch]	2250 / 89	2700 / 106	2750 / 108	3100 / 122	
Width [mm] / [inch]	1500 / 59	1900 / 75	2450 / 96	3050 / 120	
Length [mm] / [inch]	1350 / 53	1500 / 59	1750 / 69	2100 / 83	

*Additional height for junk trap needed below floor (approx. 1000 mm)
 **Minimum required height for maintenance (additional space required for lifting crane)
 All data subject to change.

ANDRITZ AG
 Graz, Austria
 Phone: +43 (316) 6902 0

ANDRITZ OY
 Kotka, Finland
 Phone: +358 (20) 450 5555

ANDRITZ TECHNOLOGIES LTD.
 Foshan, Guangdong, China
 Phone: +86 (757) 8296 9222

ANDRITZ INC.
 Glens Falls, New York, USA
 Phone: +1 (518) 793 5111

ANDRITZ K.K.
 Tokyo, Japan
 Phone: +81 (3) 5634 3450

www.andritz.com
fiber.prep@andritz.com