



FEED AND BIOFUEL

DUST FILTRATION FOR INDUSTRIAL PROCESS AIR

FILTER SOLUTIONS

ANDRITZ

ENGINEERED SUCCESS

Product-based filter solutions for industrial purposes



Comprehensive experience in filtration and dust handling as well as state-of-the-art know-how on modern filter technology make ANDRITZ an extremely competent partner as supplier of complete plants and individual filters for any purpose.

FILTER TECHNOLOGY WITH BUILT-IN KNOW-HOW

For more than 30 years, filters from ANDRITZ have demonstrated their superior function and operating reliability in many branches of industry. The result of targeted collaboration with customers, suppliers, and research institutes is a wide range of filters that can be used for most types of industrial dust filtration.

FLEXIBILITY

The filters can be supplied as standard filters or tailored to individual tasks, such as temperatures up to 280° C. Filter housings are available in stainless steel with various forms of surface treatment for strong vacuum or explosion protection.

FILTERS OR PLANTS

We can supply complete solutions or individual filters to project suppliers, yet always with widely based know-how on air and dust technologies. Our permanent staff of fitters can install the plants and service them upon request.

QUALITY-ASSURED PRODUCTION

The filters are produced by ANDRITZ, a listed company with headquarters in Graz, Austria. The ANDRITZ GROUP sup-



plies plants and equipment for many branches of industry, including pulp and paper, waste water cleaning, and feed production worldwide and guarantees high quality, efficient production, and financial strength.

INDUSTRIAL REFERENCES

- Sand handling plants in foundries
- Spray dryers for milk powder
- Powder coating installations
- Fishmeal grinding installations
- Cooling/drying installations for pet food
- Metal melting furnaces
- Pneumatic transport of wood powder
- Hot-dip galvanizing plants
- Boiler plants
- Cement handling



Efficient filtration with low energy consumption



The filter designs focus on reliability, economy, and flexibility. The compact design, modular structure, and various versions of the filters offer optimum application and installation possibilities.

COMPONENTS

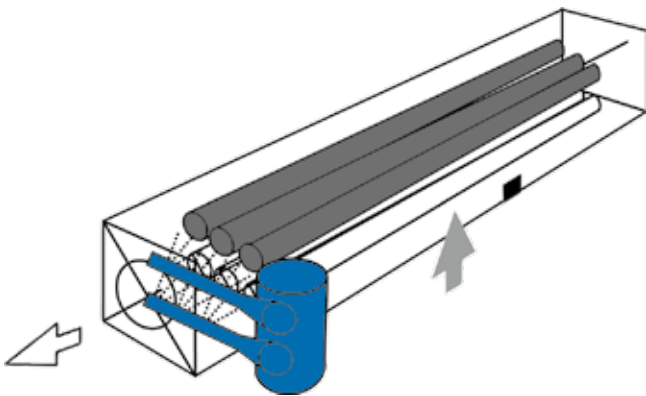
Only the best, well-proven mechanical and electronic components of our own development or from recognized suppliers are used. Filter media are selected specifically for the application based on careful evaluation of the process in which the filter is involved and of the functional requirements.

ENERGY CONSUMPTION

An essential element in filter operation is the energy consumption for compressed air cleaning and overcoming the pressure drop of the filter.



FILTER TYPES

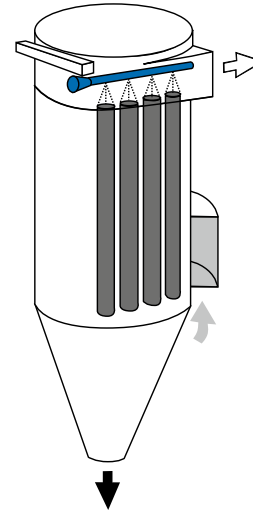


FILTER TYPE DFAK

Compact bag filter in rectangular housing and cleaned by compressed air. Used especially for mounting directly on screw conveyors, bucket elevators, and silos.

Design: Horizontal or vertical.

Filter area: 1.8–5.4 m²



FILTER TYPE EFF

Bag filter cleaned by compressed air and mounted in round filter housing. Especially suited for filtration of air with high dust content, at strong vacuum and high temperatures and for applications with stringent hygiene demands.

Design: Insertable, encased, free-standing with cone, free-standing with scraper.

Filter area: 4–480 m²

ANDRITZ EFF-series filters are developed with special focus on low energy consumption. Essential improvements have been obtained through optimized air flow in the filter housing, the use of components with high degrees of efficiency, reduction of compressor pressure, advanced filter controls, and a special nozzle system with an extremely high degree of efficiency.

EXPLOSION PROTECTION

The presence of dust-laden air in pipe systems can cause explosions, which may be transferred to the filter. ANDRITZ offers safety concepts that meet

EN 14491 or other international standards, designed for explosion suppression or explosion venting. The filters are typically designed to be pressure-shock resistant in accordance with VDI 2263.



ANDRITZ

Rotary valves and spare parts accessories

ROTARY VALVES

The reliability of the rotary valve is decisive for problem-free functioning of the entire plant. ANDRITZ supplies a wide selection of rotary valves in rugged industrial execution.

The rotary valve can be tailored to specific jobs with extended bearings for high temperatures, stainless steel rotor, wear-resistant surfaces, special transmissions, and so on.



TYPE RS

- Cast iron housing/end gables
- Rotor in welded construction
- Transmission via hollow shaft gear
- Chamber volume: 5, 10, 20, 40 liters



TYPE ZSL

- Housing as bolted steel construction
- Rotor with replaceable rubber sealing strips
- Transmission – only coupling version
- Chamber volume: 23, 51, 103, 213L
- ATEX Directive 2014/34/EU

SPARE PARTS

The position of the filters in important production processes make it very important to respond quickly to spare parts orders. As the filters are produced in our workshop, we always have a large number of filter components available, and we also stock parts for even the oldest filter types. What we do not have in stock can be procured and supplied quickly.





GLOBAL SUPPLIER – LOCAL PRESENCE

With sales, service, engineering, manufacturing and production sites located all around the world, ANDRITZ Feed and Biofuel is truly a global organization with a local presence. ANDRITZ is vital to ensuring a reliable global supply of aqua feed, animal feed, pet food, and biofuel. With full process lines accounting for half the world's production of aqua feed and biomass alone, we continuously support leading producers in achieving the highest levels in safety, quality, and control from feedstock to final product.

How can we help grow your business?

ANDRITZ Feed and Biofuel A/S

Glentevej 5–7
6705 Esbjerg, Denmark
p: +45 72 160 300
andritz-fb.dk@andritz.com

AUSTRALIA

p: +61 3 8773 4888
andritz-fb.au@andritz.com

COLOMBIA

p: +57 (1) 744 8200
andritz-fb.co@andritz.com

ITALY

p: +39 (0445) 575 695
andritz-fb.it@andritz.com

TURKEY

p: +90 232 570 38 00
andritz-fb.tr@andritz.com

BANGLADESH

p: +88 (02) 9844800
andritz-fb.bd@andritz.com

DUBAI

p: +971 4 299 5555
andritz-fb.uae@andritz.com

MEXICO

p: +52 229 178 38 45
andritz-fb.mx@andritz.com

UK

p: +44 1482 825119
andritz-fb.uk@andritz.com

BRAZIL

p: +55 47 3387 9146
andritz-fb.br@andritz.com

FRANCE

p: +33 24 75 06 364
andritz-fb.fr@andritz.com

NETHERLANDS

p: +31 40 2627777
andritz-fb.nl@andritz.com

USA

p: +1 570 546 1253
andritz-fb.us@andritz.com

CHILE

p: +56 2 24624608
andritz-fb.cl@andritz.com

GERMANY

p: +49 2104 9197 0
andritz-fb.de@andritz.com

POLAND

p: +48 60 906 1037
andritz-fb.pl@andritz.com

VIETNAM

p: +84 8 6253 9434
andritz-fb.vi@andritz.com

CHINA

p: +86 21 5774 5781
andritz-fb.cn@andritz.com

INDIA

p: +91 87544 15287
andritz-fb.india@andritz.com

SOUTH AFRICA

p: +27 82 781 0808
andritz-fb.za@andritz.com

ANDRITZ.COM/FT

ANDRITZ

All data, information, statements, photographs and graphic illustrations in this leaflet are without any obligation and raise no liabilities to or form part of any sales contracts of ANDRITZ AG or any affiliates for equipment and/or systems referred to herein. © ANDRITZ AG 2018. All rights reserved. No part of this copyrighted work may be reproduced, modified or distributed in any form or by any means, or stored in any database or retrieval system, without the prior written permission of ANDRITZ AG or its affiliates. Any such unauthorized use for any purpose is a violation of the relevant copyright laws. ANDRITZ AG, Statterger Strasse 18, 8045 Graz, Austria.

