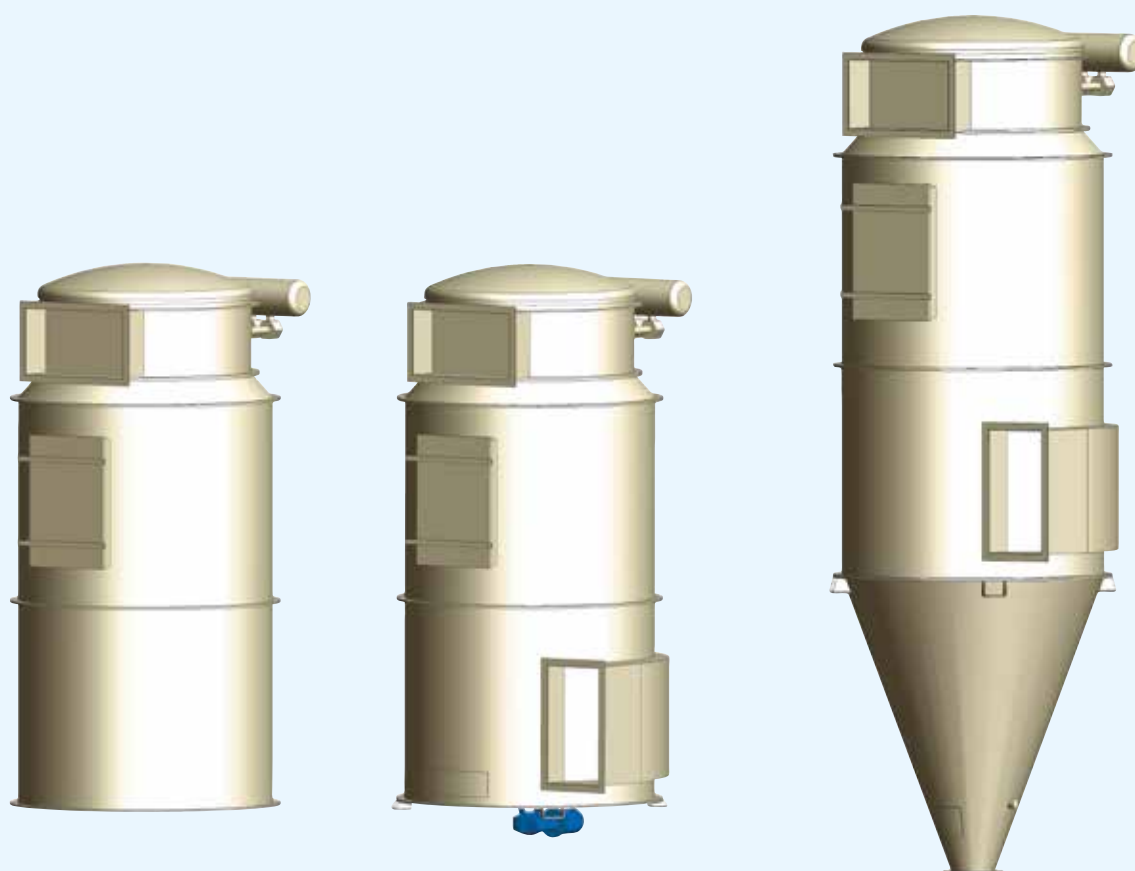


Filter

Type EFF64WB



Filter of optimum design for efficient dust separation at low operating cost.

Filter type EFF-WB is used for removal of dry dust, especially in large quantities, abrasive dust, or dust with low rates of fall. The product range consists of a fully automatic, continuously operating bag filter cleaned by compressed air and built in series, containing from 10 to 260 bags meas-

uring 1,200 to 4,800 mm in length. Filter areas range from 4 to 470 m².

By combining the best, tested components with newly developed cleaning nozzles providing optimum flow, a hitherto unseen low energy consumption has been achieved for compressed air cleaning of filter bags. The EFF filter is designed as insertable,

cased or free-standing filters with cone or scraper bottom.

Filter

Type EFF64WB

Compressed air cleaning of filter bags

Optimum adjustment of cleaning pressure and -cycles to every specific job ensures efficient dust separation, low emissions, and long filter bag life.

Filter media

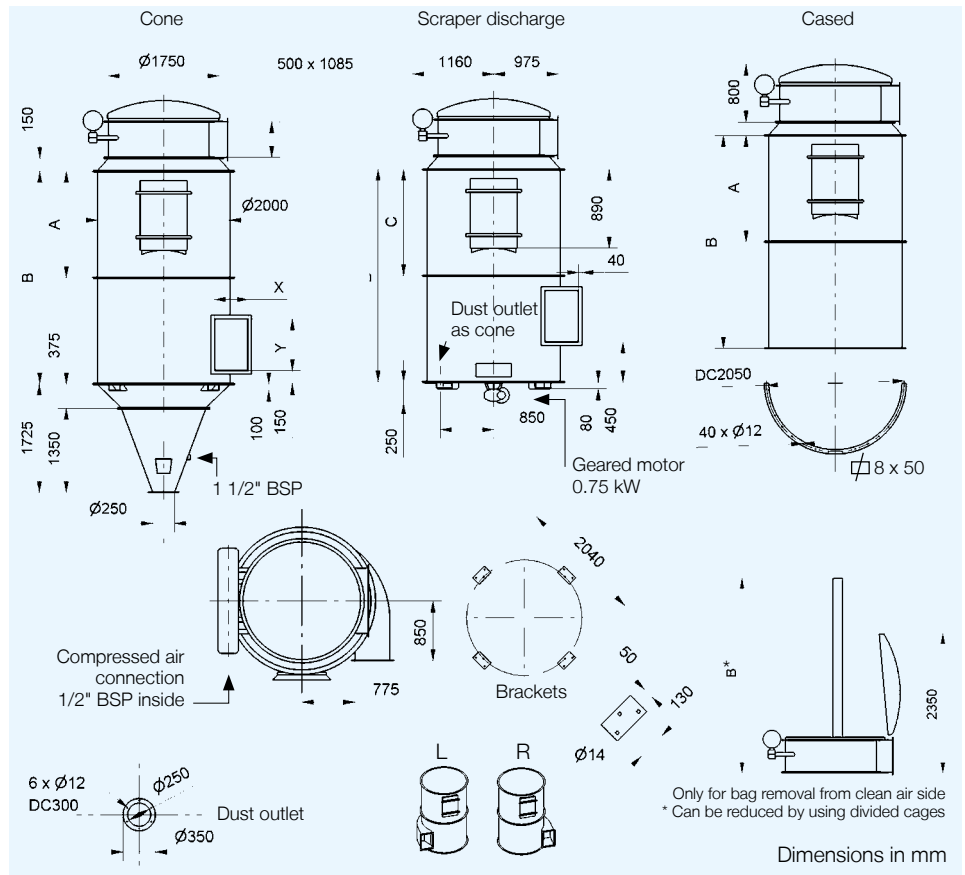
Top-quality filter media selected for specific applications based on requirements relating to service life, emissions, differential pressure, and so on.

Filter bag changing

The filter bags can be changed either from the clean air side or the dusty air side.

Accessories and special equipment

- Electronic controls with advanced functions and energy-saving Δp operation
- Emission metering equipment
- Rotary valves
- Manufactured in alternative steel qualities and with alternative surface treatment
- Platforms, ladders, supports, dust containers
- Insulation, heating
- Designed for high temperature and underpressure
- Explosion protection documented acc. to EN14491



Inlet dimensions

Air volume [m ³ /h]	X	Y
4400-8000	335	460
5600-10200	460	585
9400-17000	460	835
16000-29000	585	960

Technical data

Filter	Filter area m ²	Dimensions mm				Compressed air		Weight kg		
		A	B	C	D	Nl/min *	Hopper	Total sep.	Cased	Insertable
64/1800	43		1800		2100	110	1185	1295	870	485
64/2400	58		2400	1200	2700	140	1340	1445	1005	530
64/3000	72	1500	3000	1500	3300	140	1545	1650	1180	575
64/3600	87	1800	3600	1800	3900	140	1695	1800	1310	620
64/4200	101	1800	4200	2100	4500	180	1830	1935	1440	660

* at 180 sec. cycle

ANDRITZ Feed & Biofuel A/S

Glentevej 5-7
6705 Esbjerg, Denmark
Phone: +45 72 160 300
andritz-fb.dk@andritz.com
www.andritz.com/ft