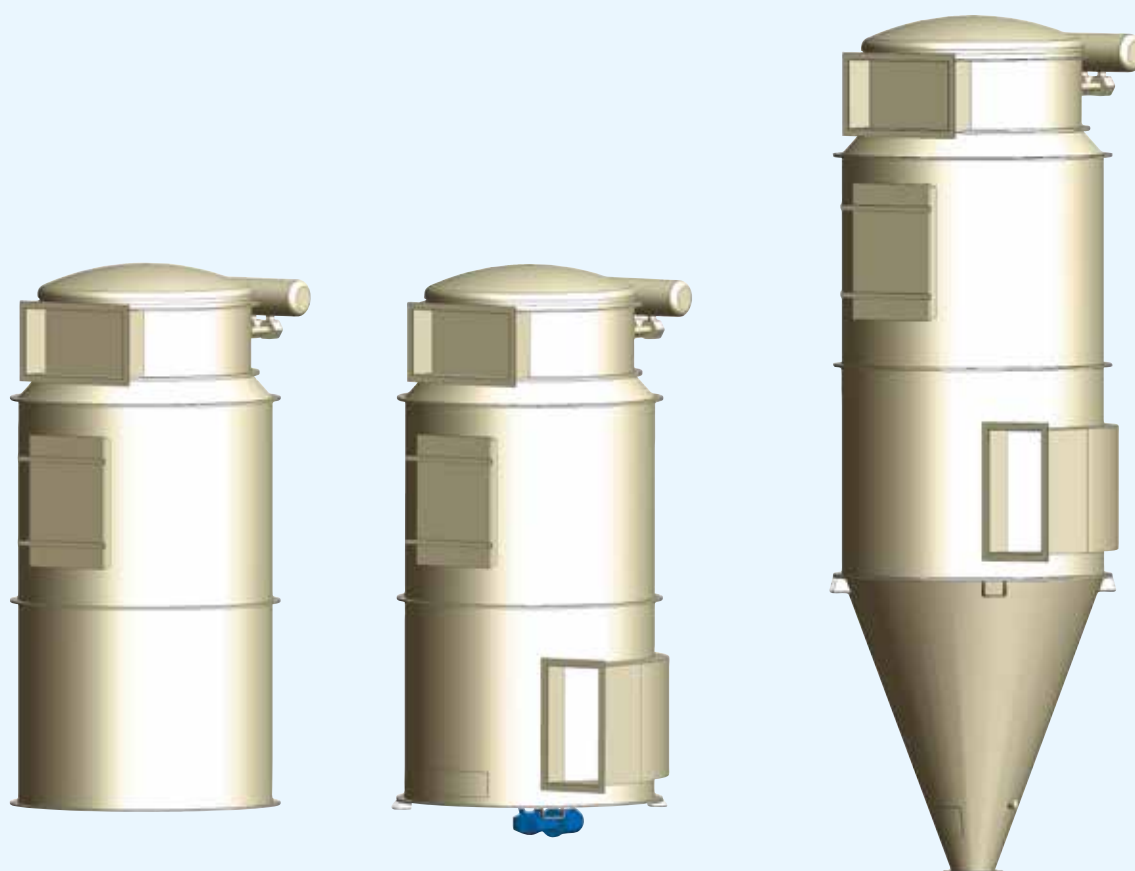


Filter

Type EFF106WB



Filter of optimum design for efficient dust separation at low operating cost.

Filter type EFF-WB is used for removal of dry dust, especially in large quantities, abrasive dust, or dust with low rates of fall. The product range consists of a fully automatic, continuously operating bag filter cleaned by compressed air and built in series, containing from 10 to 260 bags meas-

uring 1,200 to 4,800 mm in length. Filter areas range from 4 to 470 m².

By combining the best, tested components with newly developed cleaning nozzles providing optimum flow, a hitherto unseen low energy consumption has been achieved for compressed air cleaning of filter bags. The EFF filter is designed as insertable,

cased or free-standing filters with cone or scraper bottom.

Filter

Type EFF106WB

Compressed air cleaning of filter bags

Optimum adjustment of cleaning pressure and -cycles to every specific job ensures efficient dust separation, low emissions, and long filter bag life.

Filter media

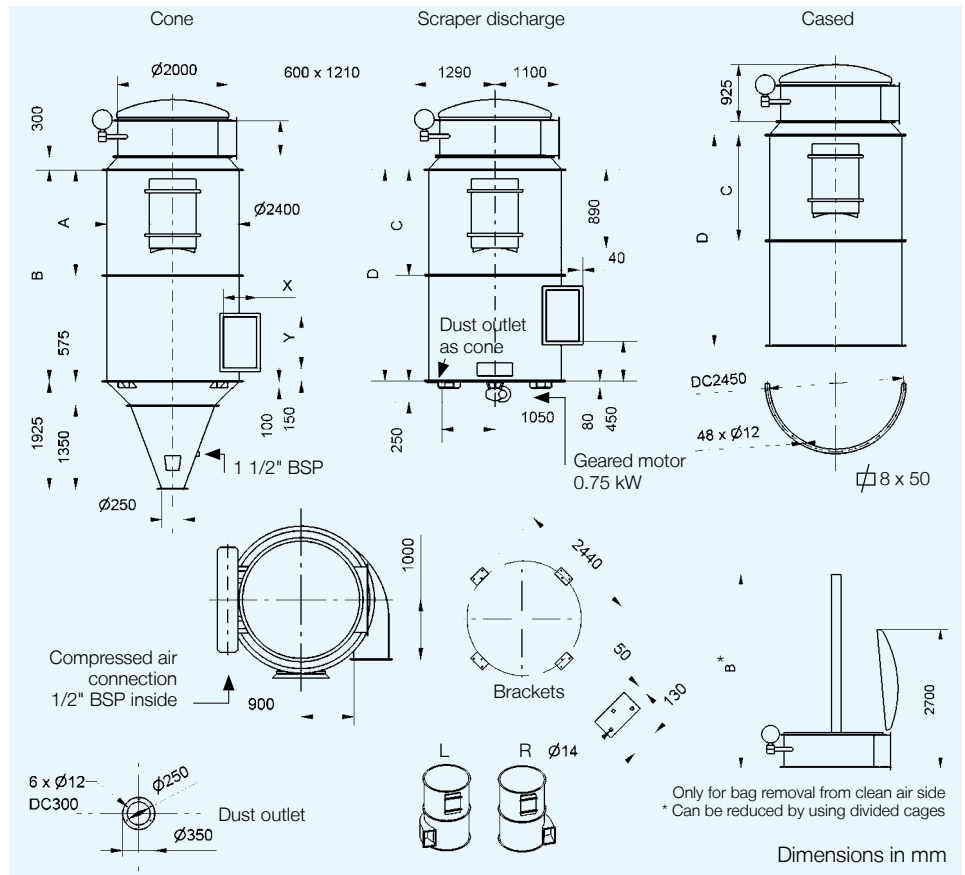
Top-quality filter media selected for specific applications based on requirements relating to service life, emissions, differential pressure, and so on.

Filter bag changing

The filter bags can be changed either from the clean air side or the dusty air side.

Accessories and special equipment

- Electronic controls with advanced functions and energy-saving Δp operation
- Emission metering equipment
- Rotary valves
- Manufactured in alternative steel qualities and with alternative surface treatment
- Platforms, ladders, supports, dust containers
- Insulation, heating
- Designed for high temperature and underpressure
- Explosion protection documented acc. to EN14491



Inlet dimensions

Air volume [m ³ /h]	X	Y
7700 - 14000	460	585
14000 - 25000	585	835
25000 - 45000	710	1210

Technical data

Filter	Filter area m ²	Dimensions mm				Compressed air		Weight kg		
		A	B	C	D	Nl/min *	Hopper	Total sep.	Cased	Insertable
Type EFF										
106/2400	96		2100		2400	215	1800	1900	1405	815
106/3000	120	1200	2700	1200	3000	215	2050	2150	1635	890
106/3600	144	1500	3300	1800	3600	215	2265	2365	1815	965
106/4200	168	1800	3900	1800	4200	280	2465	2565	1990	1035
106/4800	192	2100	4500	2400	4800	280	2700	2800	2175	1110

* at 180 sec. cycle

ANDRITZ Feed & Biofuel A/S

Glentevej 5-7
6705 Esbjerg, Denmark
Phone: +45 72 160 300
andritz-fb@andritz.com
www.andritz.com/ft