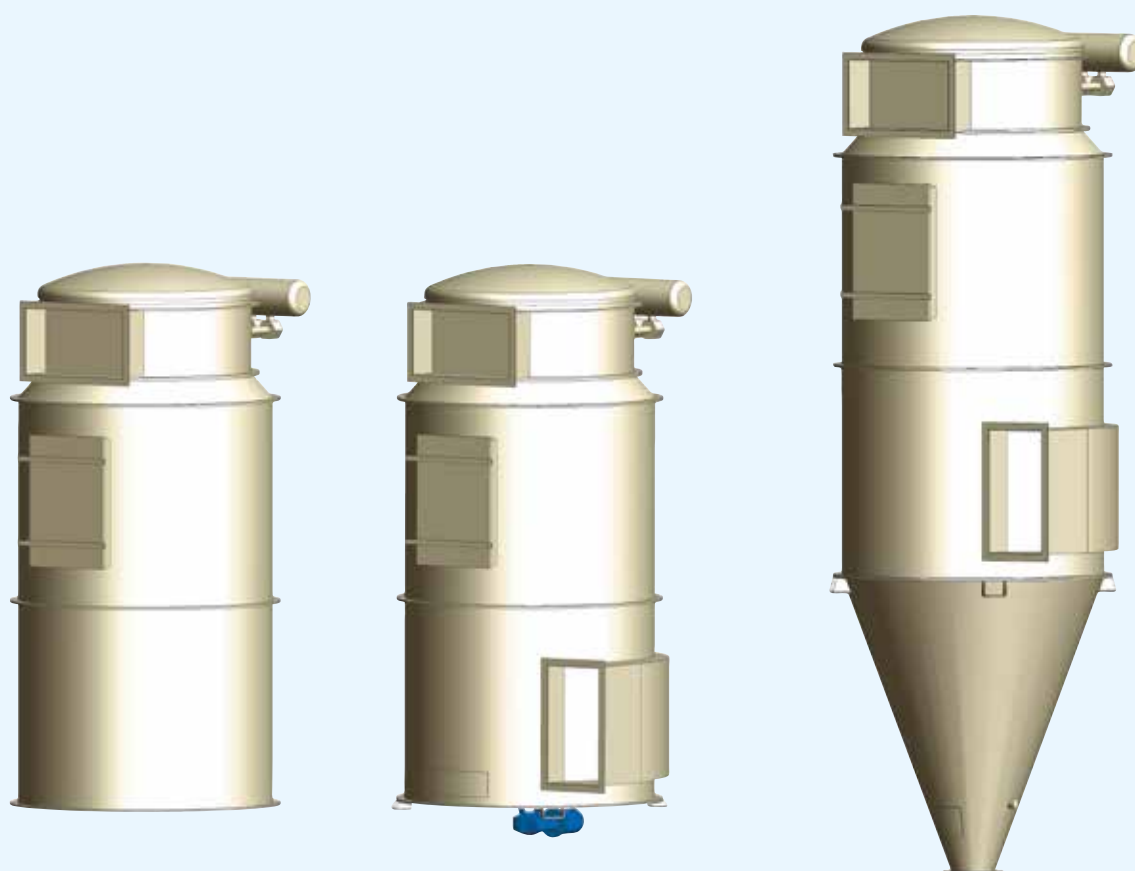


Filter

Type EFF136WB



Filter of optimum design for efficient dust separation at low operating cost.

Filter type EFF-WB is used for removal of dry dust, especially in large quantities, abrasive dust, or dust with low rates of fall. The product range consists of a fully automatic, continuously operating bag filter cleaned by compressed air and built in series, containing from 10 to 260 bags meas-

uring 1,200 to 4,800 mm in length. Filter areas range from 4 to 470 m².

By combining the best, tested components with newly developed cleaning nozzles providing optimum flow, a hitherto unseen low energy consumption has been achieved for compressed air cleaning of filter bags. The EFF filter is designed as insertable,

cased or free-standing filters with cone or scraper bottom.

Filter

Type EFF136WB

Compressed air cleaning of filter bags

Optimum adjustment of cleaning pressure and -cycles to every specific job ensures efficient dust separation, low emissions, and long filter bag life.

Filter media

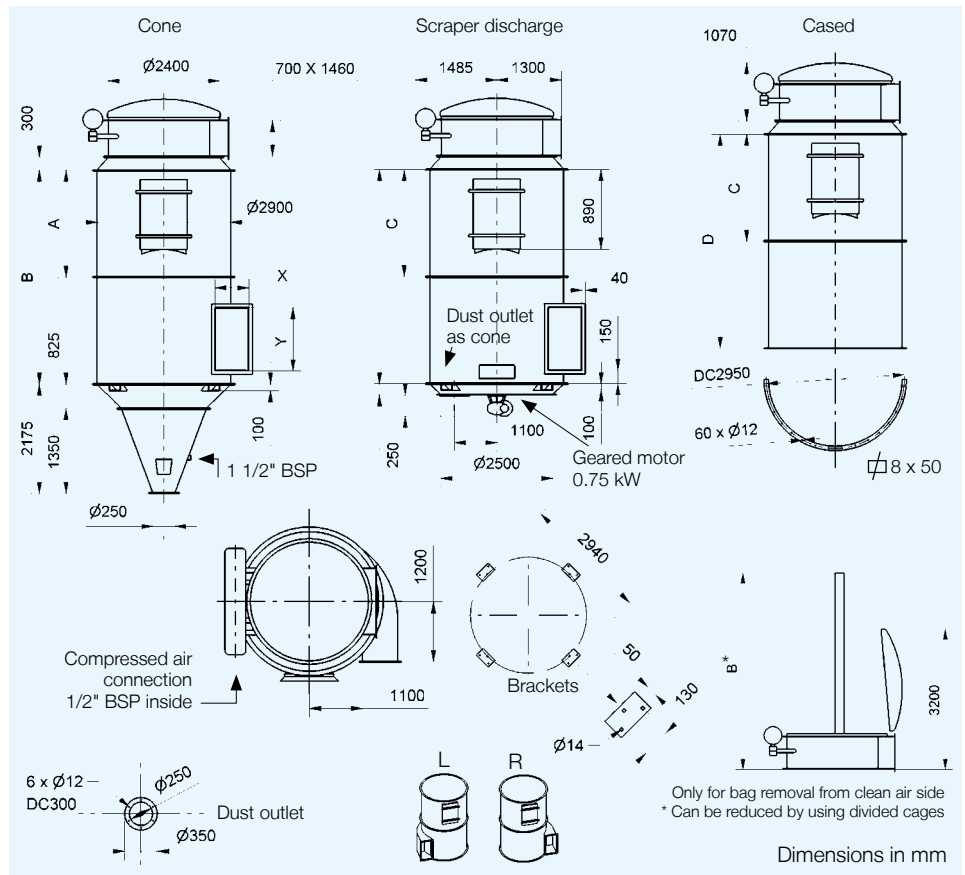
Top-quality filter media selected for specific applications based on requirements relating to service life, emissions, differential pressure, and so on.

Filter bag changing

The filter bags can be changed either from the clean air side or the dusty air side.

Accessories and special equipment

- Electronic controls with advanced functions and energy-saving Δp operation
- Emission metering equipment
- Rotary valves
- Manufactured in alternative steel qualities and with alternative surface treatment
- Platforms, ladders, supports, dust containers
- Insulation, heating
- Designed for high temperature and underpressure
- Explosion protection documented acc. to EN14491



Inlet dimensions

Air volume [m ³ /h]	X	Y
11000 - 20000	460	835
18000 - 33000	585	1085
32000 - 58000	835	1335

Technical data

Filter	Filter area m ²	Dimensions mm				Compressed air		Weight kg		
		A	B	C	D	Nl/min *	Hopper	Total sep.	Cased	Insertable
Type EFF										
136/2400	123		2100		2400	260	2375	2600	1840	1125
136/3000	154	1200	2700	1500	3000	260	2650	2875	2115	1215
136/3600	185	1500	3300	1800	3600	260	2875	3100	2340	1310
136/4200	215	1800	3900	1800	4200	340	3100	3325	2565	1405
136/4800	245	2100	4500	2400	4800	340	3325	3550	2790	1505

* at 180 sec. cycle

ANDRITZ Feed & Biofuel A/S

Glentevej 5-7
6705 Esbjerg, Denmark
Phone: +45 72 160 300
andritz-fb.dk@andritz.com
www.andritz.com/ft