

Pellet mill

Type Paladin 600 B



The authentic and sturdy Paladin design is constructed with a balanced twin drive system, where the transmission consists of a combination of V-belts and a toothed belt. The design of the main shaft and rotor allows maximum torque to be applied in the pelleting section. These features make the Paladin pellet mill range universally adaptable machines, en-

suring that maximum reliability is provided under all working conditions.

The twin drive ensures smooth operation with low levels of vibrations. Furthermore, the twin drive provides a symmetrical load on the main shaft. The symmetrical load is provided by two intermediate shafts driving the main toothed belt pulley and en-

sures a long life time for the main shaft. The die speed is chosen based on the application. If the die speed needs to be adjusted, the easily accessible V-belt pulleys can be changed.

Pellet mill

Type Paladin 600 B

Hydraulic system for twin drive and brake on main shaft

The V-belts mounted between the main motor pulleys and the intermediate shaft pulleys are tensioned automatically by means of hydraulic cylinders. The hydraulic system is also used to secure the main shaft with a specially designed brake system. If the main shaft is turned due to overloading, it will require a small amount of downtime to return it to the original position.

Symmetrical die with tapered fit

The Paladin vertical ring dies are all fully reversible. The correct number of bolts is applied to ensure a sturdy fit, which can be dismantled easily in case of die changing, for example.

Pelleting chamber

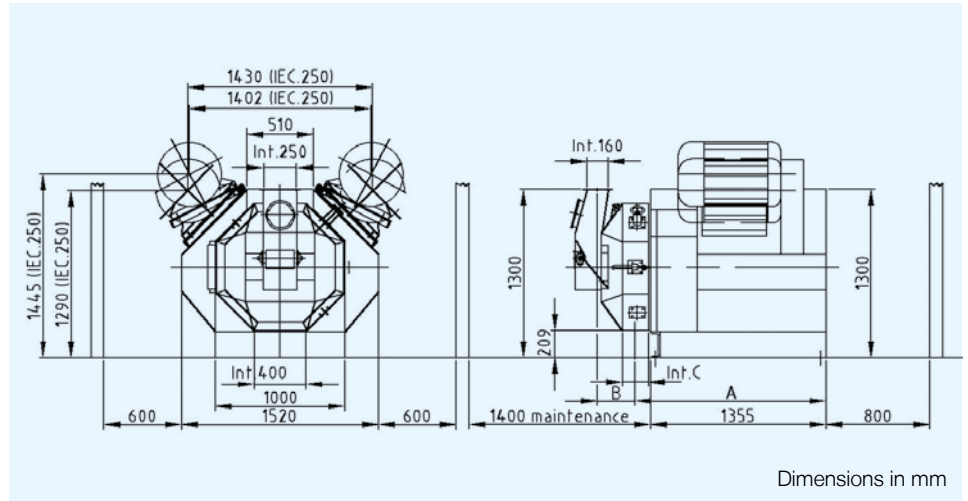
All Paladin pelleting chambers are produced in sandwich-like construction, consisting of an outer metal sheet, insulation material, and an inner metal sheet. It is constructed in this particular way in an effort to reduce the noise level of the machine. The inlet has a pneumatically operated bypass that can be used for overload protection as well. Each Paladin is equipped as standard with an adjustable knife assembly. The roller head is either in 2- or 3-roll design, depending on the application. Based on 40 years of experience, the design of the front-plate has resulted in a system with deflectors to ensure optimum feed distribution.

Electrical system

The Paladin is equipped with all necessary switches and sensors to allow safe handling and operation of the machine.

Hoist for exchanging dies and rollers

The Paladin 600B is equipped as standard with a heavy-duty retractable beam inside the housing. When rollers and/or dies are in need



Dimensions in mm

Technical data

Type Paladin 600 B

Die dimensions	Die track diameter	550 mm
	Width of die track	130–170 mm
	Die speed	5.1–6 m/sec
Main drive motors *)	Number	2
	Maximum power each	75 kW
	Speed	1500 rpm (1780, 60 Hz)
Hydraulic oil pump	Motor power	0.37 kW
External dimensions of packing	Length	2275 mm
	Width	1925 mm
	Height	1700 mm
Weights	Press with rolls	30 kN max.
	Die	4 kN max.
	Motors	8 kN max.
	Static weight including motors	42 kN max.
	Dynamic weight including motors	60 kN max.

of replacement, they can be handled easily with the special tools supplied in the tool kits.

Accessories:

- Electric motors
- Tool kits
- Rolls with surface profile for the specific application
- Automated electrical or pneumatic greasing system with flow control
- Electric fan
- Additional knives in the pellet chamber

	Die track width 130 mm	170 mm
A	1475 mm	1495 mm
B	290 mm	310 mm
C	190 mm	230 mm

ANDRITZ Feed & Biofuel A/S
 Glentevej 5–7
 6705 Esbjerg, Denmark
 Phone: +45 72 160 300
 andritz-fb.dk@andritz.com
www.andritz.com/ft