



FEED AND BIOFUEL

501 ACE

THE ORIGINAL PELLET MILL

ANDRITZ 501 Ace pellet mill is the original pellet mill now enhanced for today's hasher applications.

- Hardened martensitic stainless steel shaft
- Choice of two die widths
- Choice of methods to feed mill
- Varied choices of dies and roll shells to match the applications

- Choice of conversion to a 21" diameter die

FEATURES:

- 2 roll design
- V-belt drive for variety of die speeds to optimize the application
- Many conversions possible to minimize the cost of future growth

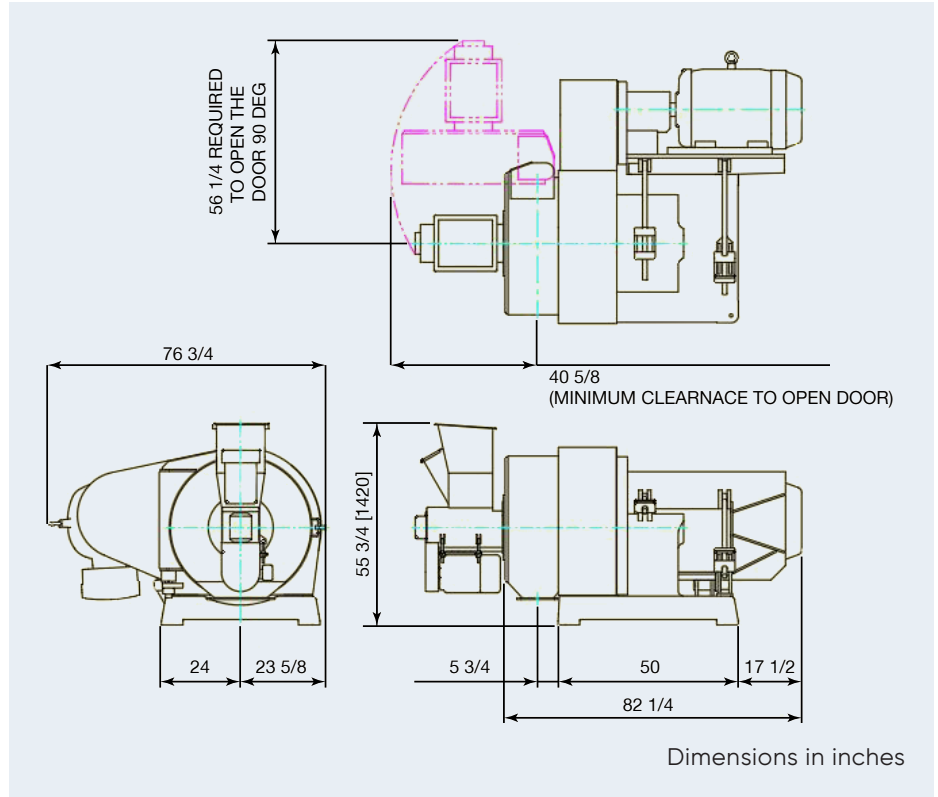
- Over 40 years of experience
- Still manufactured in same location as original mills
- Design enhanced for tougher applications such as wood waste
- 75 HP - 200 HP range

ANDRITZ

ENGINEERED SUCCESS

AVAILABLE OPTIONS:

- Automatic greasing system for rolls and shaft bearings
- Force feeder
- 5" or 6" die
- 21" conversion
- Jackshaft drive for V-belts



TECHNICAL DATA

Model	Die Inner dia.	Die area	Weight	No. of rolls
5" Ace	16 1/2"	162 in ²	4500 lb	2
6" Ace	16 1/2"	220 in ²	4600 lb	2
21" Ace	21"	280 in ²	6750 lb	2 or 3
21"W Ace	21"	396 in ²	6950 lb	2 or 3

ANDRITZ Feed and Biofuel A/S
 andritz-fb.dk@andritz.com
 p: +45 72 160 300 / andritz.com/ft

ANDRITZ Feed and Biofuel USA
 andritz-fb.us@andritz.com
 p: +1 570 546 1253



All data, information, statements, photographs and graphic illustrations in this leaflet are without any obligation and raise no liabilities to or form part of any sales contracts of ANDRITZ AG or any affiliates for equipment and/or systems referred to herein. © ANDRITZ AG 2018. All rights reserved. No part of this copyrighted work may be reproduced, modified or distributed in any form or by any means, or stored in any database or retrieval system, without the prior written permission of ANDRITZ AG or its affiliates. Any such unauthorized use for any purpose is a violation of the relevant copyright laws. ANDRITZ AG, Statterger Strasse 18, 8045 Graz, Austria.



1 0518