

Rotary valve

Heart of a dilute phase pneumatic system



ANDRITZ Sprout-Bauer line of Rotary Valves are rugged and trouble-free. They are ideal to use as feeders and air-locks for vacuum and low-pressure positive systems. The Sprout Bauer Rotary Valves help your pneumatic system achieve peak performance. Precision-crafted to maintain

proper air seals, our rotary valves are rugged and dependable, even when you're conveying abrasives and corrosives.

Available in many models, sizes and construction materials, the ANDRITZ rotary valve is a versatile component in most di-

lute-phase pneumatic conveying and feeding operations.

Stock fewer parts with our modular construction. End plates, housings and different rotor styles are interchangeable in the field.

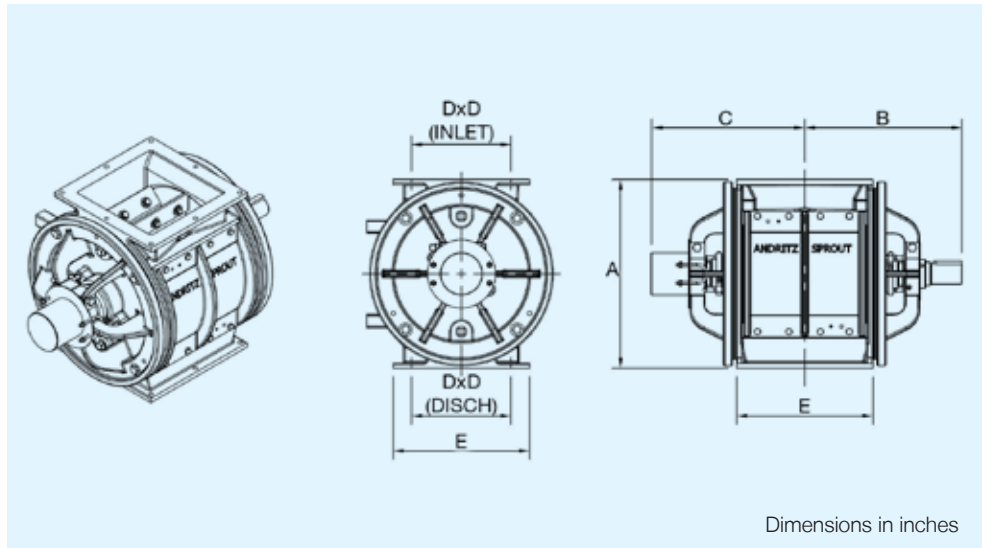
Rotary valve

Heart of a dilute phase pneumatic system

We back our valves with experienced service technicians and stock a full range of components and finished valves. You can count on fast, dependable delivery of valves and replacement parts.

Features:

- **Some models** permit service to 15 PSI
- **Split packing glands** offer easy access to stuffing boxes, reducing maintenance time
- **Integral stuffing boxes** 4 packing rings and air-purge inlets in the end plates increase packing life and reduce maintenance costs
- **Outboard bearings** prevent product contamination
- **3/4" clearance** between closed-end rotor and casing end plate minimizes packing of product
- **Precision machining** with normal, radial clearance from rotor-to-tip of 0.002" to 0.004" minimizes leakage
- **Close-end, 8-blade rotor** design provides superior, two-blade sealing without loss of pocket capacity.
- **Removable inspection panel** means the valve may be maintained without removal from the installation.



Technical data							
Size	A	B	C	D	E	Approx Weight (lb)	
						Valve	Drive
0806	11 1/4	11 7/8	10 1/8	6	9	173	100
1008	14	12 3/4	11	8	11	245	125
1410	18	15	13 1/2	10	13	443	185
1614	20	17 1/2	15 1/2	14	17 1/2	640	250
2018	26	21 7/8	20 3/8	18	23	1205	280
2422	30	24 7/8	22 7/8	22	26 1/2	2285	300
3026	38	30 1/2	27	26	31 1/2	2400	375

ANDRITZ Feed & Biofuel USA
Division of ANDRITZ Inc.
 336 West Penn Street,
 Muncy, PA 17756, United States
 Phone: +1 570 546 1253
andritz-fb.us@andritz.com

ANDRITZ Feed & Biofuel A/S
 Glentevej 5-7
 6705 Esbjerg, Denmark
 Phone: +45 72 160 300
andritz-fb.dk@andritz.com
www.andritz.com/ft