

FEED AND BIOFUEL

CONVEYING EQUIPMENT

TWO-WAY DISTRIBUTOR
TYPE 35°/0° - 35°/35°

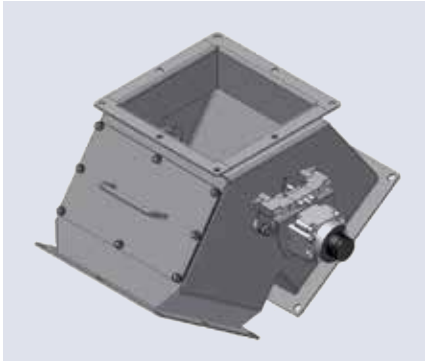
ANDRITZ Two-way distributors or Two-way diverters are suitable for distributing a flow of fine and coarse bulk materials. The two-way distributor is designed to operate without leaking of material, like grain granulates and meal products, based on the system specific operating con-

ditions and bulk material properties. Depending on the practical requirements of the bulk material flow direction, the distributor can be operated pneumatically by means of compressed air with rotary air cylinder, as standard, controlled by electrically operated guide valves.

The two-way distributor is available as galvanized, stainless steel and as painted version. ANDRITZ two-way distributor is a great complement to our bulk material handling and processing equipment.

ANDRITZ

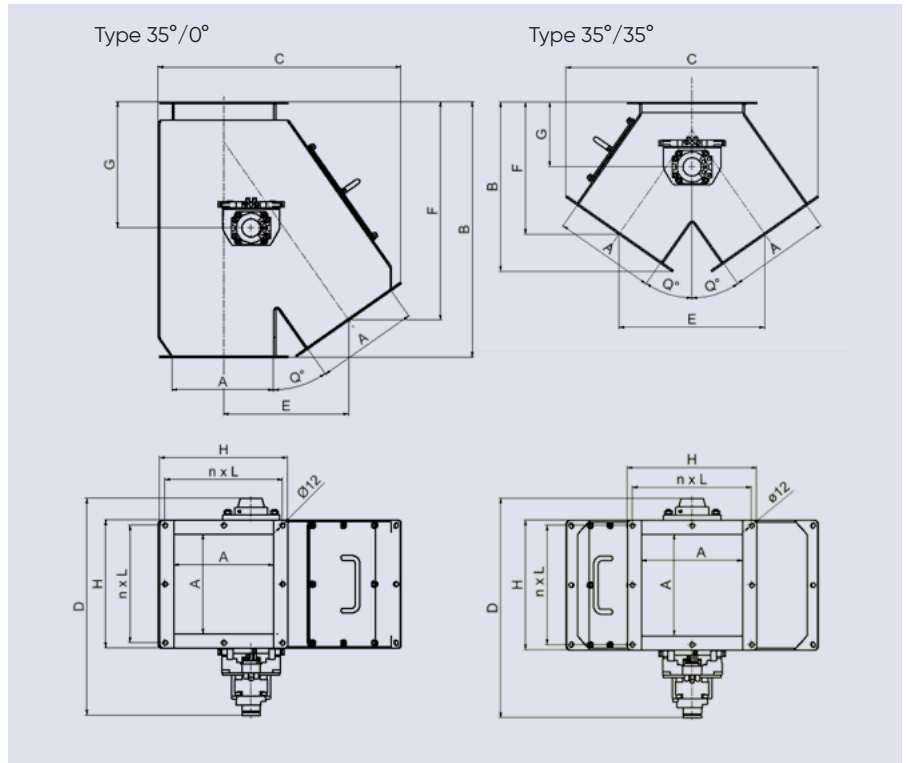
ENGINEERED SUCCESS



TWO-WAY DISTRIBUTOR TYPE TWD

The two-way distributors are available in five sizes in differences type of angle, which is as 35°/0°, 35°/35°.

The two-way distributors are operated pneumatically by means of compressed air cylinders controlled by electrically operated guide valves.



TYPE 35°/0° - ASYMMETRICAL TWO-WAY DUSTPROOF DISTRIBUTOR

Type TWD	Angle Q°	A	B	C	D	E	F	G	H	n x L	kg
TWD80	35° /0°	200	560	512	494	264	477	286	270	2 x 122	36
TWD100	35° /0°	250	640	607	544	313	546	316	320	2 x 147	48
TWD200	35° /0°	315	750	734	619	376	637	367	386	3 x 120	68
TWD250	35° /0°	400	940	912,5	724	465	804	434	476	3 x 150	104
TWD300	35° /0°	500	1100	1085	802	556	925	542	578	3 x 184	137
TWD450	35° /0°	520	1100	1099	890	556	925	574	590	4 x 141	137

TYPE 35°/35° - SYMMETRICAL TWO-WAY DUSTPROOF DISTRIBUTOR

Type TWD	Angle Q°	A	B	C	D	E	F	G	H	n x L	kg
TWD80	35° /35°	200	395	580	494	361	320	151	270	2 x 122	25
TWD100	35° /35°	250	418	621	544	360	327	159	320	2 x 147	29
TWD200	35° /35°	315	512	767	610	396	403	205	385	3 x 120	41
TWD250	35° /35°	400	584	867	700	499	449	237	476	3 x 150	54
TWD300	35° /35°	500	662	1016	802	545	498	296	578	3 x 184	70
TWD450	35° /35°	520	677	1037	889	558	510	286	590	4 x 141	86

ANDRITZ Feed and Biofuel A/S
 andritz-fb.dk@andritz.com
 p: +45 72 160 300 / andritz.com/ft



All data, information, statements, photographs and graphic illustrations in this leaflet are without any obligation and raise no liabilities to or form part of any sales contracts of ANDRITZ AG or any affiliates for equipment and/or systems referred to herein. © ANDRITZ AG 2018. All rights reserved. No part of this copyrighted work may be reproduced, modified or distributed in any form or by any means, or stored in any database or retrieval system, without the prior written permission of ANDRITZ AG or its affiliates. Any such unauthorized use for any purpose is a violation of the relevant copyright laws. ANDRITZ AG, Stattegger Strasse 18, 8045 Graz, Austria.

