

FEED & BIOFUEL
**CONVEYING
EQUIPMENT**
TWO-WAY DISTRIBUTOR
TYPE 45°/0° - 45°/45°

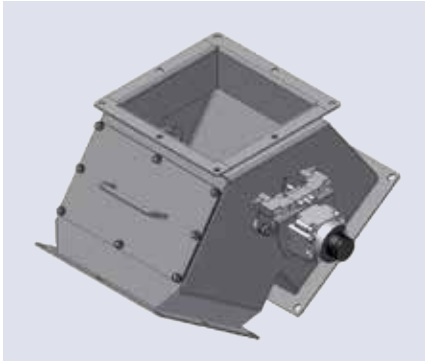
ANDRITZ Two-way distributors or Two-way diverters are suitable for distributing a flow of fine and coarse bulk materials. The two-way distributor is designed to operate without leaking of material, like grain granulates and meal products, based on the system specific operating con-

ditions and bulk material properties. Depending on the practical requirements of the bulk material flow direction, the distributor can be operated pneumatically by means of compressed air with rotary air cylinder, as standard, controlled by electrically operated guide valves. The

two-way distributor is available as galvanized, stainless steel and as painted version. ANDRITZ two-way distributor is a great complement to our bulk material handling and processing equipment.

ANDRITZ

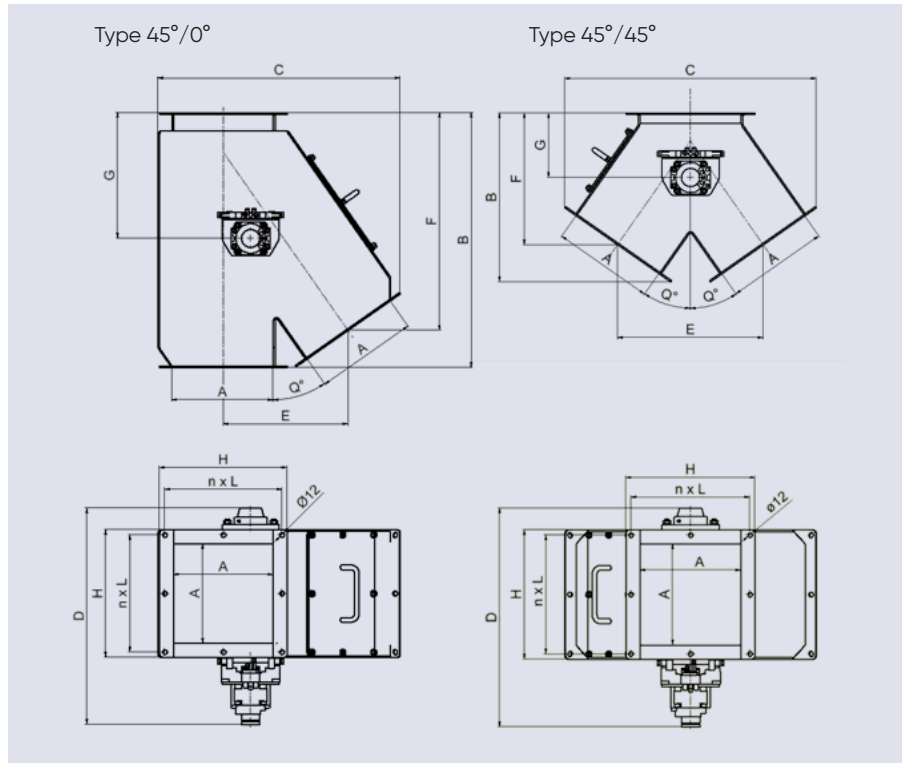
ENGINEERED SUCCESS



TWO-WAY DISTRIBUTOR TYPE TWD

The two-way distributors are available in five sizes in differences type of angle, which is as 45°/0°, 45°/45°.

The two-way distributors are operated pneumatically by means of compressed air cylinders controlled by electrically operated guide valves.



TYPE 45°/0° - ASYMMETRICAL TWO-WAY DUSTPROOF DISTRIBUTOR

Type TWD	Angle Q°	A	B	C	D	E	F	G	H	n x L	kg
TWD80	45° /0°	200	480	488	492	256	375	229	270	2 x 122	31
TWD100	45° /0°	250	550	606	542	332	432	245	320	2 x 147	44
TWD200	45° /0°	315	620	686	608	354	474	307	385	3 x 120	52
TWD250	45° /0°	400	730	841	698	431	551	361	476	3 x 150	72
TWD300	45° /0°	500	840	1006	800	509	629	422	578	3 x 184	98
TWD450	45° /0°	520	900	1048	889	545	685	442	590	4 x 141	124

TYPE 45°/45° - SYMMETRICAL TWO-WAY DUSTPROOF DISTRIBUTOR

Type TWD	Angle Q°	A	B	C	D	E	F	G	H	n x L	kg
TWD80	45° /45°	200	360	577	492	386	265	132	270	2 x 122	24
TWD100	45° /45°	250	416	669	542	446	305	171	320	2 x 147	31
TWD200	45° /45°	315	481	772	608	502	346	199	385	3 x 120	40
TWD250	45° /45°	400	559	893	698	559	392	230	476	3 x 150	53
TWD300	45° /45°	500	658	1049	800	641	454	265	578	3 x 184	72
TWD450	45° /45°	520	681	1086	889	669	472	269	590	4 x 141	89

ANDRITZ Feed and Biofuel A/S
 andritz-fb.dk@andritz.com
 p: +45 72 160 300 / andritz.com/ft



All data, information, statements, photographs and graphic illustrations in this leaflet are without any obligation and raise no liabilities to or form part of any sales contracts of ANDRITZ AG or any affiliates for equipment and/or systems referred to herein. © ANDRITZ AG 2018. All rights reserved. No part of this copyrighted work may be reproduced, modified or distributed in any form or by any means, or stored in any database or retrieval system, without the prior written permission of ANDRITZ AG or its affiliates. Any such unauthorized use for any purpose is a violation of the relevant copyright laws. ANDRITZ AG, Stattegger Strasse 18, 8045 Graz, Austria.

