



FEED AND BIOFUEL

# OPTIMAL FEEDER AND LUMP BREAKER

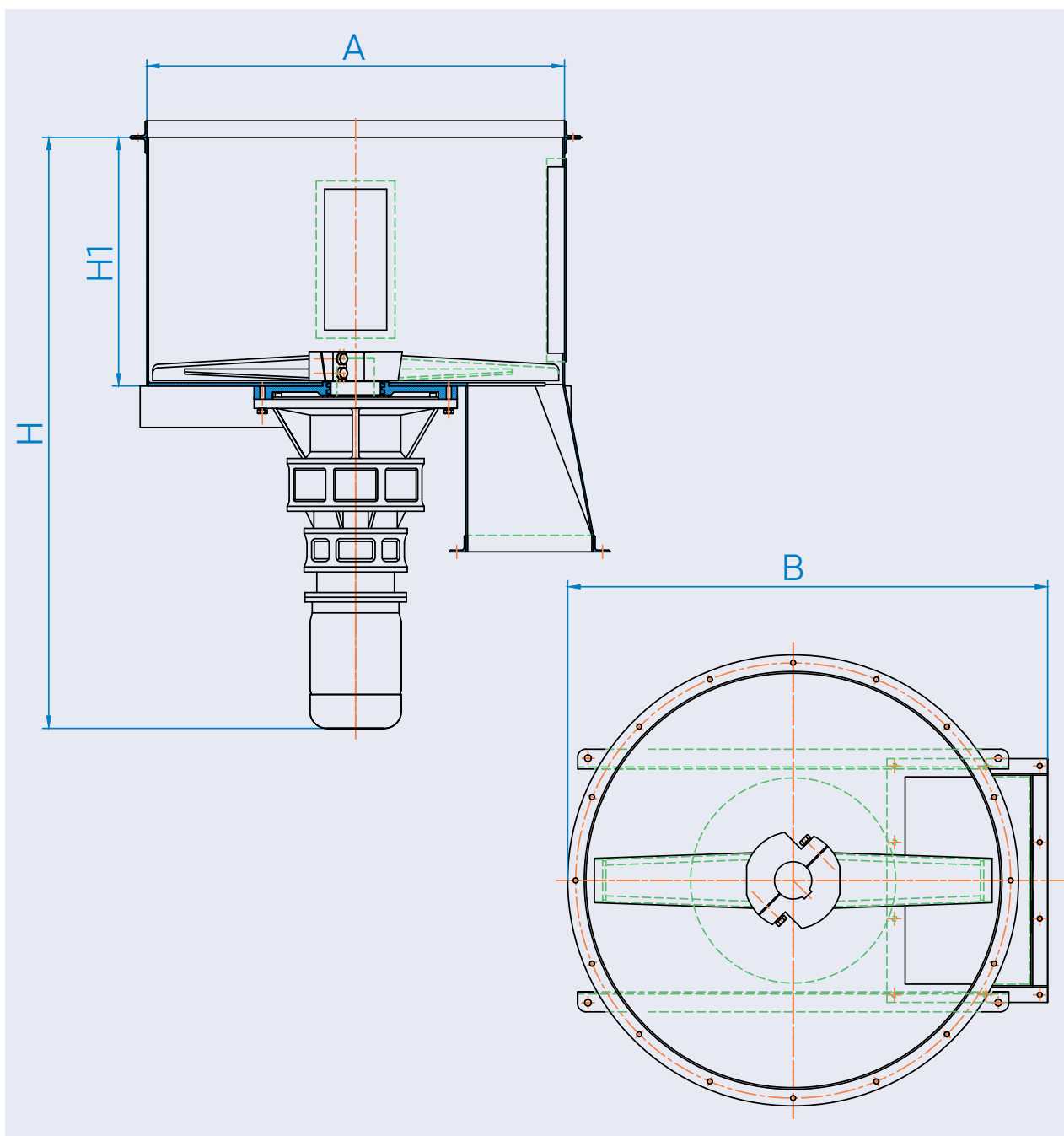
SHANGHAI SILO UNLOADER TYPE SSU

**ANDRITZ**

ENGINEERED SUCCESS

# Feeder and lump breaker for pelleting or extrusion

The ANDRITZ SSU series silo unloader is an ideal feeding device especially for aquatic feeds. It is set at the outlet of pre-pelleting bin to transport materials to the pellet mill evenly and continuously. It is equipped with special breaking mechanism to prevent lumping of materials. Up to four outlets are optional.



The SSU series silo unloader is an ideal feeding device especially for aquatic feeds.



SSU series silo unloader

## TECHNICAL SPECIFICATIONS

Model	Motor power kW	Shaft speed rpm	Dimension mm	Silo size mm	Outlet size mm
SSU100	4	5.7	ø1000×1466	ø1000×600	300×500
SSU150	7.5	5.7	ø1500×1628	ø1500×600	300×500
SSU200	11	6.5	ø2000×1627	ø2000×600	300×500

## DIMENSION SIZE (MM)

Model	H	H1	A	B
SSU100	1426	600	ø1000	1158
SSU150	1630	600	ø1500	1588
SSU200	1690	600	ø2000	2110



## GLOBAL SUPPLIER – LOCAL PRESENCE

With sales, service, engineering, manufacturing and production sites located all around the world, ANDRITZ Feed and Biofuel is truly a global organization with a local presence. ANDRITZ is vital to ensuring a reliable global supply of aqua feed, animal feed, pet food, and biofuel. With full process lines accounting for half the world's production of aqua feed and biomass alone, we continuously support leading producers in achieving the highest levels in safety, quality, and control from feedstock to final product.

How can we help grow your business?

### ANDRITZ Feed and Biofuel A/S

Glentevej 5-7  
6705 Esbjerg, Denmark  
p: +45 72 160 300  
andritz-fb.dk@andritz.com

### ANDRITZ (Shanghai) Equipment & Engineering Co., LTD

No.2288, Rongle East Road, Songjiang,  
201613, Shanghai, P.R.China  
p: +86 21 57745781  
andritz-fb.cn@andritz.com

### AUSTRALIA

p: +61 3 8773 4888  
andritz-fb.au@andritz.com

### CHINA

p: +86 21 5774 5781  
andritz-fb.cn@andritz.com

### INDIA

p: +91 87544 15287  
andritz-fb.india@andritz.com

### SOUTH AFRICA

p: +27 82 781 0808  
andritz-fb.za@andritz.com

### BANGLADESH

p: +88 (02) 9844800  
andritz-fb.bd@andritz.com

### COLOMBIA

p: +57 (1) 744 8200  
andritz-fb.co@andritz.com

### ITALY

p: +39 (0445) 575 695  
andritz-fb.it@andritz.com

### TURKEY

p: +90 232 570 38 00  
andritz-fb.tr@andritz.com

### BRAZIL

p: +55 47 3387 9146  
andritz-fb.br@andritz.com

### DUBAI

p: +971 4 299 5555  
andritz-fb.uae@andritz.com

### MEXICO

p: +52 443 323 1530 ext 364  
andritz-fb.mx@andritz.com

### UK

p: +44 1482 825119  
andritz-fb.uk@andritz.com

### CANADA

p: +1 519 676 7057  
anbosales@andritz.com

### FRANCE

p: +33 24 75 06 364  
andritz-fb.fr@andritz.com

### NETHERLANDS

p: +31 40 2627777  
andritz-fb.nl@andritz.com

### USA

p: +1 570 546 1253  
andritz-fb.us@andritz.com

### CHILE

p: +56 2 24624608  
andritz-fb.cl@andritz.com

### GERMANY

p: +49 2104 9197 0  
andritz-fb.de@andritz.com

### POLAND

p: +48 60 906 1037  
andritz-fb.pl@andritz.com

### VIETNAM

p: +84 8 6253 9434  
andritz-fb.vi@andritz.com

**ANDRITZ.COM/FT**

# ANDRITZ

All data, information, statements, photographs and graphic illustrations in this leaflet are without any obligation and raise no liabilities to or form part of any sales contracts of ANDRITZ AG or any affiliates for equipment and/or systems referred to herein. © ANDRITZ AG 2019. All rights reserved. No part of this copyrighted work may be reproduced, modified or distributed in any form or by any means, or stored in any database or retrieval system, without the prior written permission of ANDRITZ AG or its affiliates. Any such unauthorized use for any purpose is a violation of the relevant copyright laws. ANDRITZ AG, Stattegger Strasse 18, 8045 Graz, Austria.



3014 GB

B 1116