



FEED AND BIOFUEL

# STRONG AND EFFICIENT PELLET CRUMBLING

SHANGHAI CRUMBLER TYPE SCR

**ANDRITZ**

ENGINEERED SUCCESS

# Strong and efficient pellet crumbling

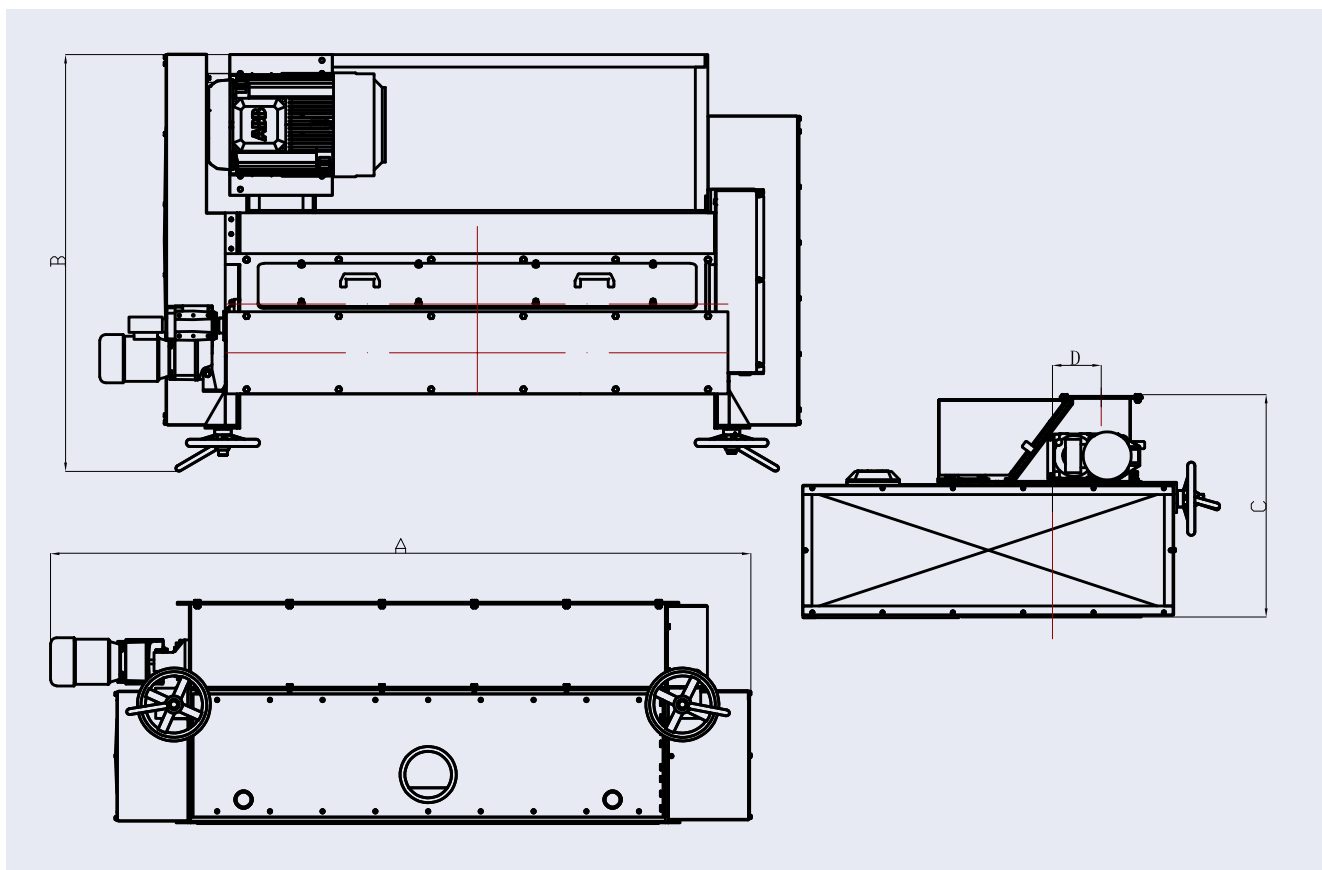
The ANDRITZ crumbler type SCR is superior at reducing pellets to particles of any desired size. The large portfolio of products assures producers achieve the correct size crumble from 5t/h up to 40t/h. The pneumatic diverter enables an efficient internal by-pass system while the adjustable roller gap allows the operator to fine-tune particle size distribution. Spring loaded rollers ensure that the machine and rollers do not encounter excessive damaged during overload or from foreign objects.

ANDRITZ manufactures a complete range of high-quality, high-capacity crumblers for crumbling animal feed pellets with a capacity ranging from 5 t/h to 40 t/h.

The ANDRITZ advanced feeding system provides precise, uniform feeding over the full length of the rolls, securing perfect performance, longest lifetime, and lowest energy consumption.

ANDRITZ testing tools are included with your new crumbler. The tools allow the operator to take samples during operation to ensure you have the perfect product.

ANDRITZ automatic roll adjustment system are controlled by the ANDRITZ advanced automation control system, which also provides individual settings for the crumbling process in order to obtain the perfect individual product. All features can also be easily added at a later date.



The crumbler type SCR enables by-pass, precisely adjustable rollers, integrated dual sampling spots and uniform feeding into spring loaded rollers.



SCR series crumbler

## TECHNICAL SPECIFICATIONS

Type	Motor	Roller diameter	Roller length	Velocity V-belt drive	Capacity Chicken feed	Distribution roller	Total weight
	kW	mm	mm	A:low rpm B:high rpm	t/h	kW	Kg
SCR80	7.5	ø200	800	A:460 ; B:600	8t/h	0.75 (1.0HP)	740
SCR120	11	ø200	1200	A:460 ; B:600	12t/h	0.75 (1.0HP)	1100
SCR160	22	ø220	1600	A:500 ; B:630	18t/h	0.75 (1.0HP)	1590

## DIMENSION SIZE (MM)

Model	A	B	C	D
SCR80	1580	1370	690	166
SCR120	1980	1370	690	166
SCR160	2390	1422	759	166



## GLOBAL SUPPLIER – LOCAL PRESENCE

With sales, service, engineering, manufacturing and production sites located all around the world, ANDRITZ Feed and Biofuel is truly a global organization with a local presence. ANDRITZ is vital to ensuring a reliable global supply of aqua feed, animal feed, pet food, and biofuel. With full process lines accounting for half the world's production of aqua feed and biomass alone, we continuously support leading producers in achieving the highest levels in safety, quality, and control from feedstock to final product.

How can we help grow your business?

### ANDRITZ Feed and Biofuel A/S

Glentevej 5-7  
6705 Esbjerg, Denmark  
p: +45 72 160 300  
andritz-fb.dk@andritz.com

### ANDRITZ (Shanghai) Equipment & Engineering Co., LTD

No.2288, Rongle East Road, Songjiang,  
201613, Shanghai, P.R.China  
p: +86 21 57745781  
andritz-fb.cn@andritz.com

### AUSTRALIA

p: +61 3 8773 4888  
andritz-fb.au@andritz.com

### CHINA

p: +86 21 5774 5781  
andritz-fb.cn@andritz.com

### INDIA

p: +91 87544 15287  
andritz-fb.india@andritz.com

### SOUTH AFRICA

p: +27 82 781 0808  
andritz-fb.za@andritz.com

### BANGLADESH

p: +88 (02) 9844800  
andritz-fb.bd@andritz.com

### COLOMBIA

p: +57 (1) 744 8200  
andritz-fb.co@andritz.com

### ITALY

p: +39 (0445) 575 695  
andritz-fb.it@andritz.com

### TURKEY

p: +90 232 570 38 00  
andritz-fb.tr@andritz.com

### BRAZIL

p: +55 47 3387 9146  
andritz-fb.br@andritz.com

### DUBAI

p: +971 4 299 5555  
andritz-fb.uae@andritz.com

### MEXICO

p: +52 443 323 1530 ext 364  
andritz-fb.mx@andritz.com

### UK

p: +44 1482 825119  
andritz-fb.uk@andritz.com

### CANADA

p: +1 519 676 7057  
anbosales@andritz.com

### FRANCE

p: +33 24 75 06 364  
andritz-fb.fr@andritz.com

### NETHERLANDS

p: +31 40 2627777  
andritz-fb.nl@andritz.com

### USA

p: +1 570 546 1253  
andritz-fb.us@andritz.com

### CHILE

p: +56 2 24624608  
andritz-fb.cl@andritz.com

### GERMANY

p: +49 2104 9197 0  
andritz-fb.de@andritz.com

### POLAND

p: +48 60 906 1037  
andritz-fb.pl@andritz.com

### VIETNAM

p: +84 8 6253 9434  
andritz-fb.vi@andritz.com

**ANDRITZ.COM/FT**



All data, information, statements, photographs and graphic illustrations in this leaflet are without any obligation and raise no liabilities to or form part of any sales contracts of ANDRITZ AG or any affiliates for equipment and/or systems referred to herein. © ANDRITZ AG 2019. All rights reserved. No part of this copyrighted work may be reproduced, modified or distributed in any form or by any means, or stored in any database or retrieval system, without the prior written permission of ANDRITZ AG or its affiliates. Any such unauthorized use for any purpose is a violation of the relevant copyright laws. ANDRITZ AG, Stattegger Strasse 18, 8045 Graz, Austria.



3002 GB