



# WORLD'S SAFEST & MOST EFFICIENT BATCH MIXER

OPTIMIX 4000



# ANDRITZ



# Setting new standards in feed mixing

The new-generation OptiMix 4000 from ANDRITZ redefines feed mixing with cutting-edge technology and unparalleled performance.

Engineered to meet the evolving needs of modern feed production facilities, it seamlessly combines efficiency, precision, and safety to deliver superior results.

With a focus on efficiency, feed and operator safety and hygiene, it delivers consistent performance while simplifying operations and maintenance.

The design supports fast processing, flexible batch handling, and optimized workflow, making it a valuable investment for modern feed production.



# The benchmark of feed safety

## Redefining feed safety and operational efficiency

When it comes to feed mixing – safety and performance go hand in hand.

The ANDRITZ OptiMix-4000 sets a new standard for innovation with its patented Outlet-gate seal system, allowing maintenance without entering the mixer. This breakthrough feature safeguards operators while ensuring exceptional uptime and operational efficiency.



## Unmatched precision and hygiene

The OptiMix-4000 doesn't just protect your team—it also optimizes production with precise mixing results. Certified for less than 5% Coefficient of Variation (CV), it guarantees consistent, high-quality blends for every batch.

The dual-rotation system eliminates dead zones, ensuring thorough mixing and superior hygiene standards. The patented nozzle technology ensures quick nozzle change without the need of shutting down the machine and anti-drip feature makes cleaning easy. It enhances feed safety to a new level by reducing the risk of cross-contamination.



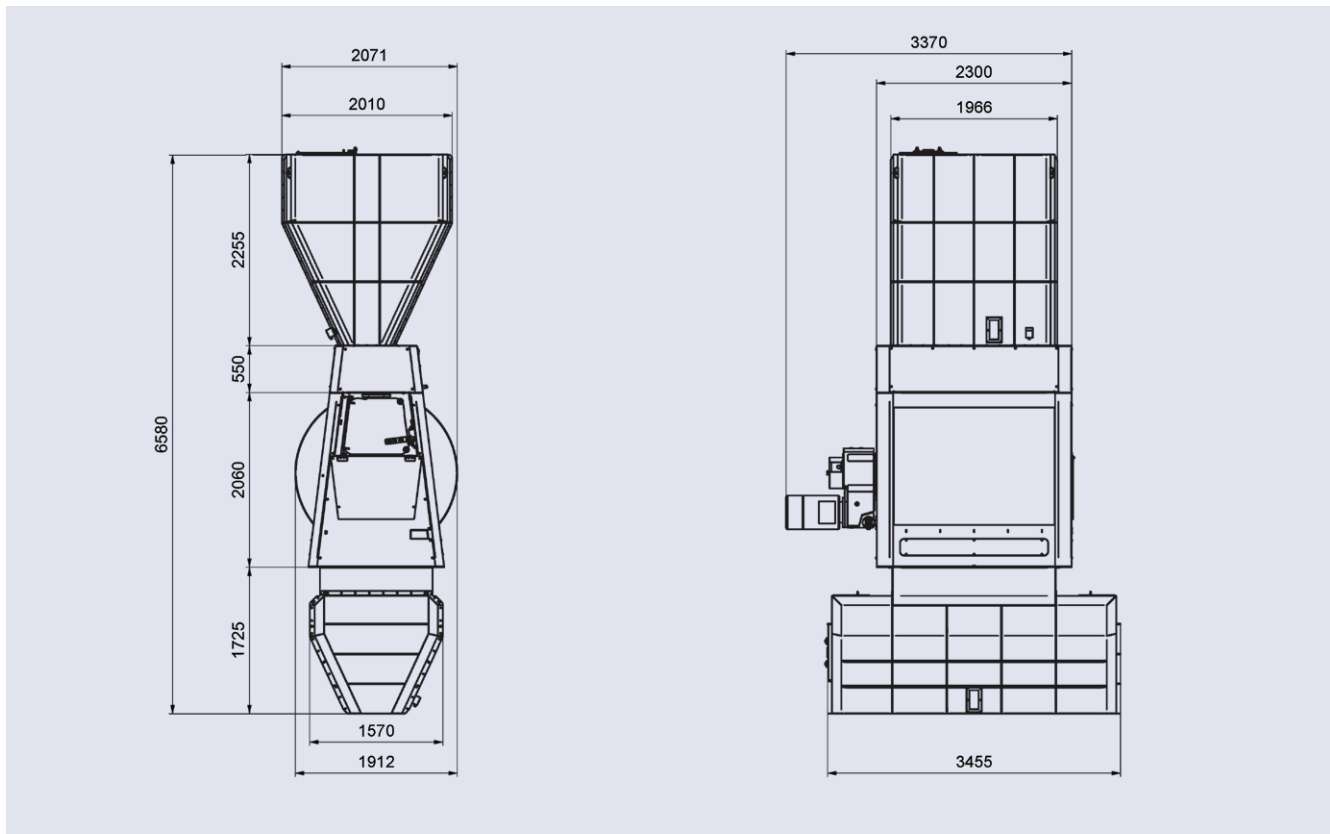
## Seamless integration for any facility

Designed to integrate seamlessly into existing facilities, The OptiMix-4000's retrofit-friendly design makes upgrades straightforward. Its new design focuses on reducing the total height (whereas total means including the pre-mixer and surge-bin), making it compatible with your older or existing setups.

This makes it an ideal choice – if you are looking to enhance operations without major overhauls.



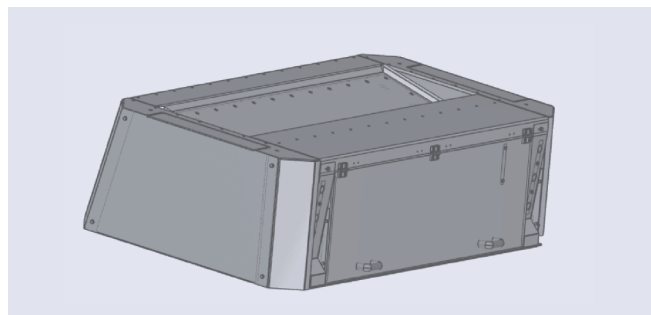
# Technical drawing and specifications



## TECHNICAL DATA

### OptiMix 4000

Working volume	4000 liters (25-100% filling)
Product density	Up 0.6 g/cm <sup>3</sup>
Weight incl. motor	4100 kg
Batch sizes	25-100%
Batch frequency (theoretically)	Up to 28 batches per hour (dry mix)
Mixing time	90 seconds (dry mix)
Shaft speed	31 rpm
CV	90 seconds = <5%
Option	Trough in stainless steel ISO 304
Safety	Service lock on inlet-gate



## OPTIMIX 4000 INLET-GATE AND LIQUID SPRAY SECTION

Pneumatic operated inlet-gate

Service lock on inlet-gate

Options for adding 6 liquids, each 2 pieces non-drip patented nozzles

Weight 540 kg

Flange for assembly with OptiMix 4000



# Built for performance and evolving operation

## Flexible and high-capacity mixing

The OptiMix-4000 is designed for flexibility, sustaining the handling up to 18 batches per hour or 15 with liquid additions. Supporting up to 6 liquid inputs, it meets diverse feed formulation needs and evolves with your production requirements.

## A future proof investment

Designed for long-term efficiency, the OptiMix-4000 minimizes operational costs with innovative features that simplify maintenance and reduce downtime. Its flexible batch sizing optimizes production flow, making it a smart and cost-effective choice for evolving feed operations.

## Simplified maintenance for maximum uptime

Maintenance tasks that once required disassembly and downtime have been simplified. With external access to seal changes and gate adjustments, your team can complete essential tasks swiftly and safely, minimizing downtime. This cuts service time from hours to minutes, ensuring seamless operations

## Global service with a local touch

With a robust global support network and expert service teams, ANDRITZ ensures you're never alone. Our local expertise combined with global reach means fast, efficient assistance whenever you need it.

As a trusted leader in the feed industry, we continue to set benchmarks in quality and innovation.

**Revolutionize your feed production today.**

Contact us to know more.





## GLOBAL SUPPLIER – LOCAL PRESENCE

ANDRITZ Feed & Biofuel is truly a global organization – with local presence. We are represented all over the world. The global market is served from five main locations in Denmark, China, Netherlands, USA, and Slovakia.

In addition, ANDRITZ Feed & Biofuel operates from several strategic regional sales, engineering, and service locations in Australia, Bangladesh, Brazil, Canada, Chile, Dubai, France, Germany, India, Italy, Mexico, Poland, South Africa, Thailand, Turkey, the UK and Vietnam – and is also represented locally by agents and distributors in many other markets.

### AUSTRALIA

ANDRITZ Feed & Biofuel  
p: +61 3 8773 4888  
andritz-fb.au@andritz.com

### CHINA

ANDRITZ Feed & Biofuel  
p: +86 21 5774 5781  
andritz-fb.cn@andritz.com

### ITALY

ANDRITZ Feed & Biofuel  
p: +39 025 743 01 30  
andritz-fb.it@andritz.com

### THAILAND

ANDRITZ Feed & Biofuel  
p: +66 2258 5528  
andritz-fb.dk@andritz.com

### BANGLADESH

ANDRITZ Feed & Biofuel  
p: +880 22 222 64 800  
andritz-fb.bd@andritz.com

### DUBAI

ANDRITZ Feed & Biofuel  
p: +971 4 214 6546  
andritz-fb.uae@andritz.com

### MEXICO

ANDRITZ Feed & Biofuel  
p: +52 229 178 38 45  
andritz-fb.mx@andritz.com

### TURKEY

ANDRITZ Feed & Biofuel  
p: +90 232 570 38 00  
andritz-fb.tr@andritz.com

### BRAZIL

ANDRITZ Feed & Biofuel  
p: +55 47 3387 9146  
andritz-fb.br@andritz.com

### FRANCE

ANDRITZ Feed & Biofuel  
p: +33 24 75 06 364  
andritz-fb.fr@andritz.com

### NETHERLANDS

ANDRITZ Feed & Biofuel  
p: +31 40 262 7777  
andritz-fb.nl@andritz.com

### UK

ANDRITZ Feed & Biofuel  
p: +44 1482 825 119  
andritz-fb.uk@andritz.com

### CANADA

ANDRITZ Feed & Biofuel  
p: +1 519 676 7057  
anbosales@andritz.com

### GERMANY

ANDRITZ Feed & Biofuel  
p: +49 2104 91970  
andritz-fb.de@andritz.com

### POLAND

ANDRITZ Feed & Biofuel  
p: +48 60 906 1037  
andritz-fb.pl@andritz.com

### USA

ANDRITZ Feed & Biofuel  
p: +1 570 546 1253  
andritz-fb.us@andritz.com

### CHILE

ANDRITZ Feed & Biofuel  
p: +56 2 2246 24 600  
andritz-fb.cl@andritz.com

### INDIA

ANDRITZ Feed & Biofuel  
p: +91 87544 15287  
andritz-fb.india@andritz.com

### SOUTH AFRICA

ANDRITZ Feed & Biofuel  
p: +27 82 781 0808  
andritz-fb.dk@andritz.com

### VIETNAM

ANDRITZ Feed & Biofuel  
p: +84 28 6253 9434  
andritz-fb.vi@andritz.com

**ANDRITZ.COM/FT**

All data, information, statements, photographs and graphic illustrations in this leaflet are without any obligation and raise no liabilities to or form part of any sales contracts of ANDRITZ AG or any affiliates for equipment and/or systems referred to herein. © ANDRITZ GROUP 2025. All rights reserved. No part of this copyrighted work may be reproduced, modified or distributed in any form or by any means, or stored in any database or retrieval system, without the prior written permission of ANDRITZ AG or its affiliates. Any such unauthorized use for any purpose is a violation of the relevant copyright laws. ANDRITZ AG, Stattegger Strasse 18, 8045 Graz, Austria.

**ANDRITZ Feed & Biofuel A/S**

Glentevej 5–7  
6705 Esbjerg, Denmark  
p: +45 72 160 300  
andritz-fb.dk@andritz.com

