



ANDRITZ

HIGHLY EFFICIENT GEAR-DRIVEN PELLETING

SHANGHAI TYPE SGPC6 PELLET MILL

ANDRITZ

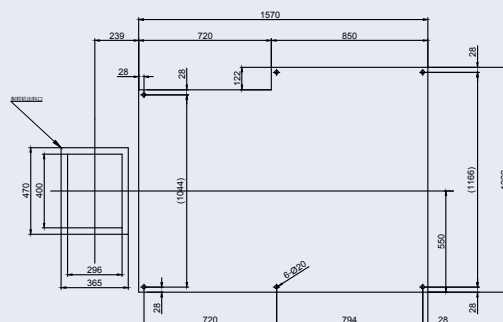
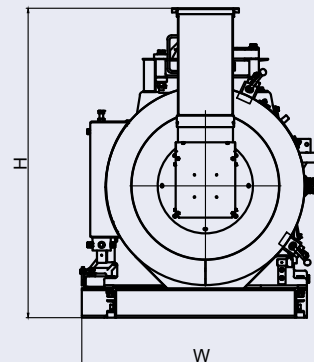
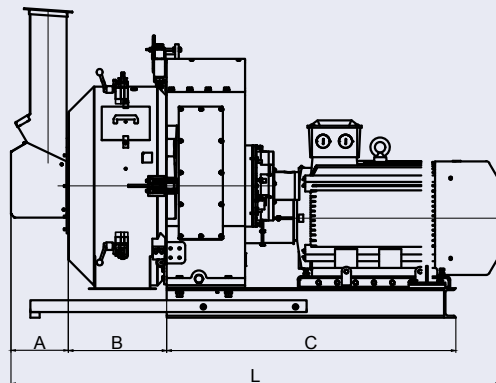
An experienced design offers highly efficient pelleting

Andritz SGPC6 pellet mill combines the best of current pellet mill technology with proven features from our long-established family of gear-driven pellet mills, offering the highest output per Kw/h in its class.



ROBUST, EASY-TO-MAINTAIN DESIGN

- **Single-reduction, precision helical gearing delivers** quieter operation, highly efficient power transmission factors, and longer life.
- **The taper die fit with self-piloting effect** makes changing dies smooth and easy.
- **Double and insulated pellet door** ensure that no condensate forms and providing a very high hygiene standard.
- **Replaceable wear rings** in the housing reduce maintenance costs.
- **Compact profile, small footprint, modular design** – makes the mill easy to fit into your facility.
- **The die-area-to-kW combinations** provide increased efficiency and throughput, while maintaining pellet quality, ensuring that there are fewer blockages and providing longer die life.
- **Shear pin hub array** – protects the shaft against foreign objects.



Dimensions in mm



TECHNICAL DATA

Model		SGPC6-16	SGPC6-19
Capacity (t/h)		10~16	12~18
Die (mm)	Inside diameter	ø600	ø600
	Pelleting Width	160	190
Roller (mm)	Qty	2	2
	Diameter	280	280
Main Motor	Power (kw)	132/160	160
	Rotation speed (rpm)	1480/990	1480/990

DIMENSION SIZE (MM)

Model	A	B	C	L	H	W
SGPC6	312	534	1570	2657	1680	1301

Highly efficient gear-driven design provides the highest output per kw/h in its class.





GLOBAL SUPPLIER – LOCAL PRESENCE

ANDRITZ Feed & Biofuel is truly a global organization – with local presence. We are represented all over the world. The global market is served from five main locations in Denmark, China, Netherlands, USA, and Slovakia.

In addition, ANDRITZ Feed & Biofuel operates from several strategic regional sales, engineering, and service locations in Australia, Bangladesh, Brazil, Canada, Chile, Dubai, France, Germany, India, Italy, Mexico, Poland, South Africa, Thailand, Turkey, the UK and Vietnam – and is also represented locally by agents and distributors in many other markets.

ANDRITZ Feed & Biofuel A/S

Glentevej 5–7
6705 Esbjerg, Denmark
p: +45 72 160 300
andritz-fb.dk@andritz.com

ANDRITZ (Shanghai) Equipment & Engineering Co., LTD

No.2288, Rongle East Road, Songjiang,
201613, Shanghai, P.R.China
p: +86 21 57745781
andritz-fb.cn@andritz.com

AUSTRALIA

ANDRITZ Feed & Biofuel
p: +61 3 8773 4888
andritz-fb.au@andritz.com

CHINA

ANDRITZ Feed & Biofuel
p: +86 21 5774 5781
andritz-fb.cn@andritz.com

ITALY

ANDRITZ Feed & Biofuel
p: +39 025 743 01 30
andritz-fb.it@andritz.com

THAILAND

ANDRITZ Feed & Biofuel
p: +66 2258 5528
andritz-fb.dk@andritz.com

BANGLADESH

ANDRITZ Feed & Biofuel
p: +880 22 222 64 800
andritz-fb.bd@andritz.com

DUBAI

ANDRITZ Feed & Biofuel
p: +971 4 214 6546
andritz-fb.uae@andritz.com

MEXICO

ANDRITZ Feed & Biofuel
p: +52 229 178 38 45
andritz-fb.mx@andritz.com

TURKEY

ANDRITZ Feed & Biofuel
p: +90 232 570 38 00
andritz-fb.tr@andritz.com

BRAZIL

ANDRITZ Feed & Biofuel
p: +55 47 3387 9146
andritz-fb.br@andritz.com

FRANCE

ANDRITZ Feed & Biofuel
p: +33 24 75 06 364
andritz-fb.fr@andritz.com

NETHERLANDS

ANDRITZ Feed & Biofuel
p: +31 40 262 7777
andritz-fb.nl@andritz.com

UK

ANDRITZ Feed & Biofuel
p: +44 1482 825 119
andritz-fb.uk@andritz.com

CANADA

ANDRITZ Feed & Biofuel
p: +1 519 676 7057
anbosales@andritz.com

GERMANY

ANDRITZ Feed & Biofuel
p: +49 2104 91970
andritz-fb.de@andritz.com

POLAND

ANDRITZ Feed & Biofuel
p: +48 60 906 1037
andritz-fb.pl@andritz.com

USA

ANDRITZ Feed & Biofuel
p: +1 570 546 1253
andritz-fb.us@andritz.com

CHILE

ANDRITZ Feed & Biofuel
p: +56 2 2246 24 600
andritz-fb.cl@andritz.com

INDIA

ANDRITZ Feed & Biofuel
p: +91 87544 15287
andritz-fb.india@andritz.com

SOUTH AFRICA

ANDRITZ Feed & Biofuel
p: +27 82 781 0808
andritz-fb.dk@andritz.com

VIETNAM

ANDRITZ Feed & Biofuel
p: +84 28 6253 9434
andritz-fb.vi@andritz.com



[ANDRITZ.COM/FT](https://www.andritz.com/ft)

All data, information, statements, photographs and graphic illustrations in this leaflet are without any obligation and raise no liabilities to or form part of any sales contracts of ANDRITZ AG or any affiliates for equipment and/or systems referred to herein. © ANDRITZ GROUP 2025. All rights reserved. No part of this copyrighted work may be reproduced, modified or distributed in any form or by any means, or stored in any database or retrieval system, without the prior written permission of ANDRITZ AG or its affiliates. Any such unauthorized use for any purpose is a violation of the relevant copyright laws. ANDRITZ AG, Stattegger Strasse 18, 8045 Graz, Austria.



3001 GB