



COMPLETE, QUICK AND GENTLE COOLING

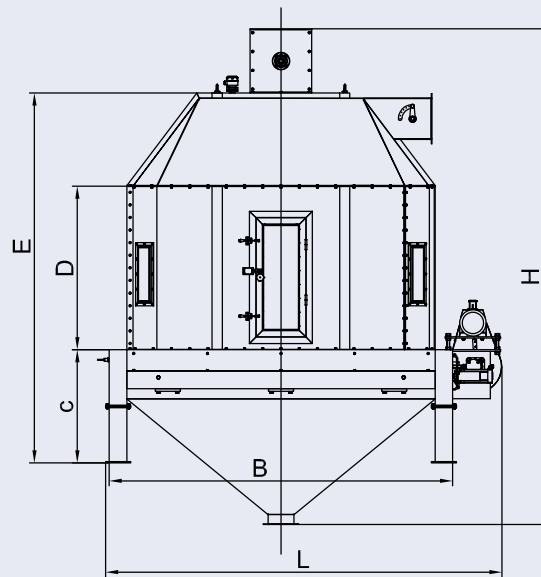
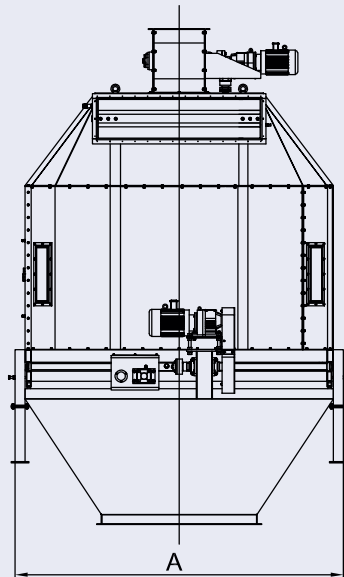
SHANGHAI COOLER TYPE SCCR AND SCCS

ANDRITZ

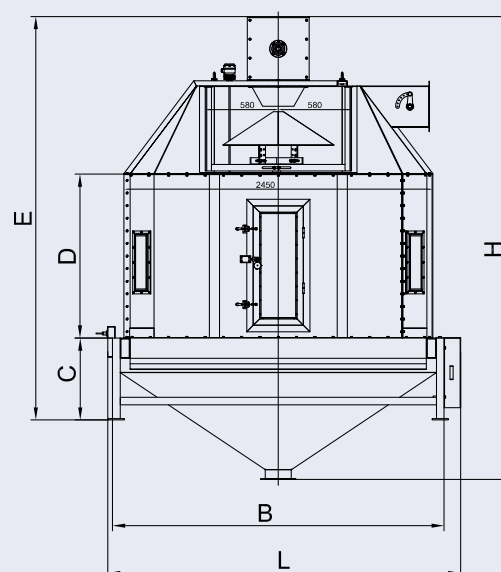
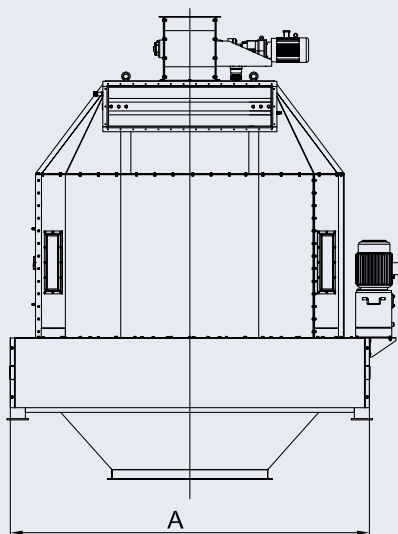
Complete, quick and gentle cooling

ANDRITZ SCCR and SCCS series counter-flow cooler minimizes the risk of cooling shock on pellets by using the simple counter-flow principle. This method allows air movement from the bottom of the cooler, as the pellets are moving downwards. This ensures the pellets reach ambient temperature while being discharged evenly and gently through the discharge grid, reducing pellets breakage and fines. Swivel valve and grid discharge mechanisms are available.

SCCS cooler



SCCR cooler



SCCS cooler



SCCR cooler



TECHNICAL SPECIFICATIONS

Model	Discharging mechanism	Main driving power (KW)	Airlock motor Power kW	Airlock material	Capacity t/h		
SCCS15	Grid	1.5	1.1	stainless steel	5~15	Adopt pneumatic movable adjustment device	Equipped with lower hopper
SCCS20	Grid	2.2	1.5	stainless steel	10~20	Adopt pneumatic movable adjustment device	Equipped with lower hopper
SCCR15	Swivel-valve	1.5	1.1	stainless steel	5~15	Equipped with hydraulic station: 1.5KW, with oil cylinder	Equipped with lower hopper and guard
SCCR20	Swivel-valve	1.5	1.5	stainless steel	10~20	Equipped with hydraulic station: 1.5KW, with oil cylinder	Equipped with lower hopper and guard
SCCR30	Swivel-valve	3	1.5	stainless steel	20~30	Equipped with hydraulic station: 1.5KW, with oil cylinder	Equipped with lower hopper and guard

DIMENSION SIZE (MM)

Model	A	B	L	H	C	D	E
SCCS15	2200	2300	2350	3680	900	1300	2890
SCCS20	2610	2730	2790	3940	900	1300	2940
SCCR15	2500	2260	2310	3572	650	1300	3100
SCCR20	2850	2630	2700	3672	650	1300	3200
SCCR30	3120	2900	3040	4272	650	1600	3500



GLOBAL SUPPLIER – LOCAL PRESENCE

ANDRITZ Feed & Biofuel is truly a global organization – with local presence. We are represented all over the world. The global market is served from five main locations in Denmark, China, Netherlands, USA, and Slovakia.

In addition, ANDRITZ Feed & Biofuel operates from several strategic regional sales, engineering, and service locations in Australia, Bangladesh, Brazil, Canada, Chile, Dubai, France, Germany, India, Italy, Mexico, Poland, South Africa, Thailand, Turkey, the UK and Vietnam – and is also represented locally by agents and distributors in many other markets.

ANDRITZ Feed & Biofuel A/S

Glentevej 5–7
6705 Esbjerg, Denmark
p: +45 72 160 300
andritz-fb.dk@andritz.com

ANDRITZ (Shanghai) Equipment & Engineering Co., LTD

No.2288, Rongle East Road, Songjiang,
201613, Shanghai, P.R.China
p: +86 21 57745781
andritz-fb.cn@andritz.com

AUSTRALIA

ANDRITZ Feed & Biofuel
p: +61 3 8773 4888
andritz-fb.au@andritz.com

CHINA

ANDRITZ Feed & Biofuel
p: +86 21 5774 5781
andritz-fb.cn@andritz.com

ITALY

ANDRITZ Feed & Biofuel
p: +39 025 743 01 30
andritz-fb.it@andritz.com

THAILAND

ANDRITZ Feed & Biofuel
p: +66 2258 5528
andritz-fb.dk@andritz.com

BANGLADESH

ANDRITZ Feed & Biofuel
p: +880 22 222 64 800
andritz-fb.bd@andritz.com

DUBAI

ANDRITZ Feed & Biofuel
p: +971 4 214 6546
andritz-fb.uae@andritz.com

MEXICO

ANDRITZ Feed & Biofuel
p: +52 229 178 38 45
andritz-fb.mx@andritz.com

TURKEY

ANDRITZ Feed & Biofuel
p: +90 232 570 38 00
andritz-fb.tr@andritz.com

BRAZIL

ANDRITZ Feed & Biofuel
p: +55 47 3387 9146
andritz-fb.br@andritz.com

FRANCE

ANDRITZ Feed & Biofuel
p: +33 24 75 06 364
andritz-fb.fr@andritz.com

NETHERLANDS

ANDRITZ Feed & Biofuel
p: +31 40 262 7777
andritz-fb.nl@andritz.com

UK

ANDRITZ Feed & Biofuel
p: +44 1482 825 119
andritz-fb.uk@andritz.com

CANADA

ANDRITZ Feed & Biofuel
p: +1 519 676 7057
anbosales@andritz.com

GERMANY

ANDRITZ Feed & Biofuel
p: +49 2104 91970
andritz-fb.de@andritz.com

POLAND

ANDRITZ Feed & Biofuel
p: +48 60 906 1037
andritz-fb.pl@andritz.com

USA

ANDRITZ Feed & Biofuel
p: +1 570 546 1253
andritz-fb.us@andritz.com

CHILE

ANDRITZ Feed & Biofuel
p: +56 2 2246 24 600
andritz-fb.cl@andritz.com

INDIA

ANDRITZ Feed & Biofuel
p: +91 87544 15287
andritz-fb.india@andritz.com

SOUTH AFRICA

ANDRITZ Feed & Biofuel
p: +27 82 781 0808
andritz-fb.dk@andritz.com

VIETNAM

ANDRITZ Feed & Biofuel
p: +84 28 6253 9434
andritz-fb.vi@andritz.com



[ANDRITZ.COM/FT](https://www.andritz.com/ft)

All data, information, statements, photographs and graphic illustrations in this leaflet are without any obligation and raise no liabilities to or form part of any sales contracts of ANDRITZ AG or any affiliates for equipment and/or systems referred to herein. © ANDRITZ GROUP 2025. All rights reserved. No part of this copyrighted work may be reproduced, modified or distributed in any form or by any means, or stored in any database or retrieval system, without the prior written permission of ANDRITZ AG or its affiliates. Any such unauthorized use for any purpose is a violation of the relevant copyright laws. ANDRITZ AG, Stattegger Strasse 18, 8045 Graz, Austria.



3004 GB