



HIGH QUALITY COATING FOR INCREASED PERFORMANCE

SHANGHAI DRUM COATER TYPE SCOT AND SRFC

ANDRITZ

High quality coating for increased performance

The ANDRITZ drum coaters, type SCOT and SRFC, both enable high quality surface coating of dietary and palatability liquids to support nutritional requirements and feed conversion.

DRUM COATER

The ANDRITZ drum coater applies oils, fats and other nutrient additives to pellets and extruded feed by spraying the surface of the finished pellets, making them more palatable, improving feed conversion ratios, and ultimately growth rates. This specialized coating technology offers controlled atomization and precise volume control for achieving different feed formulations to meet a variety of nutritional needs.

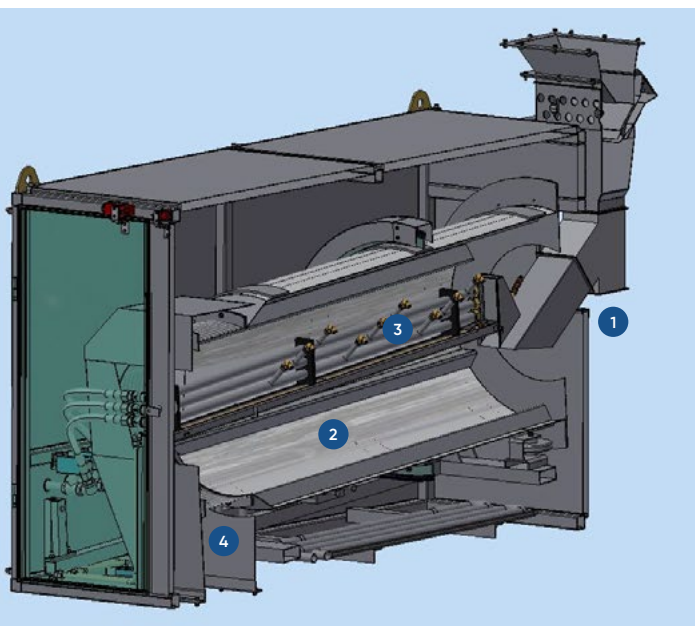
MAIN FEATURES

- Oil addition ranging from 1% to 7%
- Oil addition volume can be controlled in real-time
- The SCOT Series coater is a heat reservation device with a drum housing and oil spraying pipes that are workable for low temperature environments.
- The SRFC Series coater uses easy to maintain; negative pressure blow pipe nozzles, located in the front of the drum, to reduce leakage of oil mist.

SCOT Drum Coater

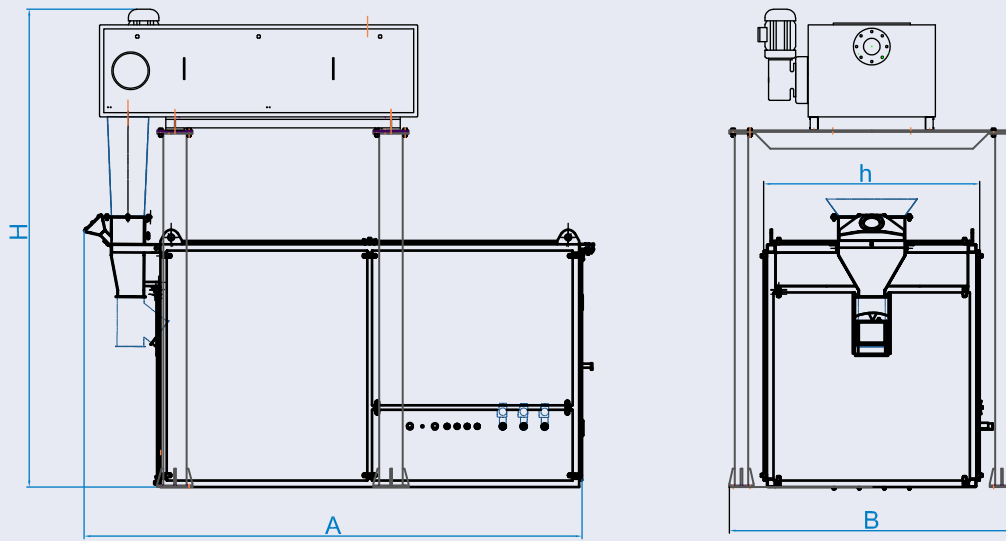


SRFC Drum Coater

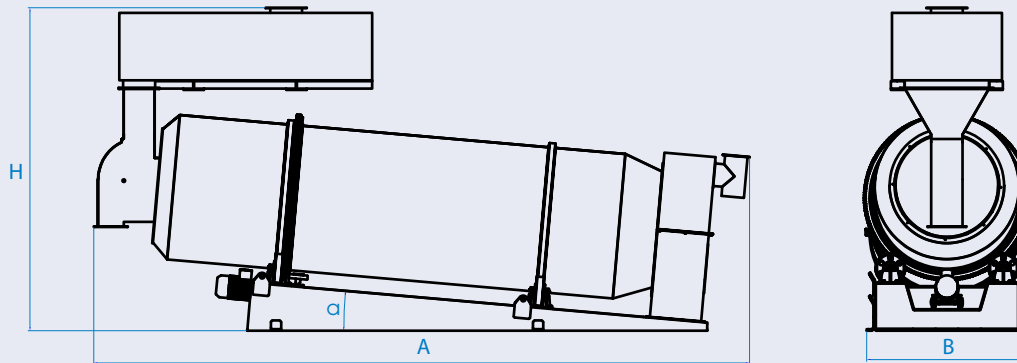


Pellets continuously enter the slanting drum **2** via the inlet **1**. Incoming pellets are rolling as the drum turns, thus forming a wave of pellets at the inner wall. Each particle makes contact with the spray mist from the nozzles **3** when it's falling over. Pellets contact spray mist to its maximal extent as they roll towards the outlet **4** so as to be fully soaked by liquids.

SCOT Drum Coater



SRFC Drum Coater



DIMENSION SIZE

Model	H	A	B	h	α
SCOT15	2850	2970	1700	1290	
SCOT25	3150	3900	1950	1540	
SRFC10	2980	5080	1950		5°
SRFC20	3090	6380	2280		5°

TECHNICAL DATA

Model	Main motor power kW	Weigh Kg	Capacity(T/H) DENSITY = 0.35
SCOT15	1.10	1050.00	7-8
SCOT25	2.20	1780.00	11-13
SRFC10	3.00	3500.00	8-10
SRFC20	5.50	4500.00	15-20



GLOBAL SUPPLIER – LOCAL PRESENCE

ANDRITZ Feed & Biofuel is truly a global organization – with local presence. We are represented all over the world. The global market is served from five main locations in Denmark, China, Netherlands, USA, and Slovakia.

In addition, ANDRITZ Feed & Biofuel operates from several strategic regional sales, engineering, and service locations in Australia, Bangladesh, Brazil, Canada, Chile, Dubai, France, Germany, India, Italy, Mexico, Poland, South Africa, Thailand, Turkey, the UK and Vietnam – and is also represented locally by agents and distributors in many other markets.

ANDRITZ Feed & Biofuel A/S

Glentevej 5–7
6705 Esbjerg, Denmark
p: +45 72 160 300
andritz-fb.dk@andritz.com

ANDRITZ (Shanghai) Equipment & Engineering Co., LTD

No.2288, Rongle East Road, Songjiang,
201613, Shanghai, P.R.China
p: +86 21 57745781
andritz-fb.cn@andritz.com

AUSTRALIA

ANDRITZ Feed & Biofuel
p: +61 3 8773 4888
andritz-fb.au@andritz.com

CHINA

ANDRITZ Feed & Biofuel
p: +86 21 5774 5781
andritz-fb.cn@andritz.com

ITALY

ANDRITZ Feed & Biofuel
p: +39 025 743 01 30
andritz-fb.it@andritz.com

THAILAND

ANDRITZ Feed & Biofuel
p: +66 2258 5528
andritz-fb.dk@andritz.com

BANGLADESH

ANDRITZ Feed & Biofuel
p: +880 22 222 64 800
andritz-fb.bd@andritz.com

DUBAI

ANDRITZ Feed & Biofuel
p: +971 4 214 6546
andritz-fb.uae@andritz.com

MEXICO

ANDRITZ Feed & Biofuel
p: +52 229 178 38 45
andritz-fb.mx@andritz.com

TURKEY

ANDRITZ Feed & Biofuel
p: +90 232 570 38 00
andritz-fb.tr@andritz.com

BRAZIL

ANDRITZ Feed & Biofuel
p: +55 47 3387 9146
andritz-fb.br@andritz.com

FRANCE

ANDRITZ Feed & Biofuel
p: +33 24 75 06 364
andritz-fb.fr@andritz.com

NETHERLANDS

ANDRITZ Feed & Biofuel
p: +31 40 262 7777
andritz-fb.nl@andritz.com

UK

ANDRITZ Feed & Biofuel
p: +44 1482 825 119
andritz-fb.uk@andritz.com

CANADA

ANDRITZ Feed & Biofuel
p: +1 519 676 7057
anbosales@andritz.com

GERMANY

ANDRITZ Feed & Biofuel
p: +49 2104 91970
andritz-fb.de@andritz.com

POLAND

ANDRITZ Feed & Biofuel
p: +48 60 906 1037
andritz-fb.pl@andritz.com

USA

ANDRITZ Feed & Biofuel
p: +1 570 546 1253
andritz-fb.us@andritz.com

CHILE

ANDRITZ Feed & Biofuel
p: +56 2 2246 24 600
andritz-fb.cl@andritz.com

INDIA

ANDRITZ Feed & Biofuel
p: +91 87544 15287
andritz-fb.india@andritz.com

SOUTH AFRICA

ANDRITZ Feed & Biofuel
p: +27 82 781 0808
andritz-fb.dk@andritz.com

VIETNAM

ANDRITZ Feed & Biofuel
p: +84 28 6253 9434
andritz-fb.vi@andritz.com



ANDRITZ.COM/FT

All data, information, statements, photographs and graphic illustrations in this leaflet are without any obligation and raise no liabilities to or form part of any sales contracts of ANDRITZ AG or any affiliates for equipment and/or systems referred to herein. © ANDRITZ GROUP 2025. All rights reserved. No part of this copyrighted work may be reproduced, modified or distributed in any form or by any means, or stored in any database or retrieval system, without the prior written permission of ANDRITZ AG or its affiliates. Any such unauthorized use for any purpose is a violation of the relevant copyright laws. ANDRITZ AG, Stattegger Strasse 18, 8045 Graz, Austria.



3007 GB