



# SCREENING AND CLASSIFICATION OF PELLETS

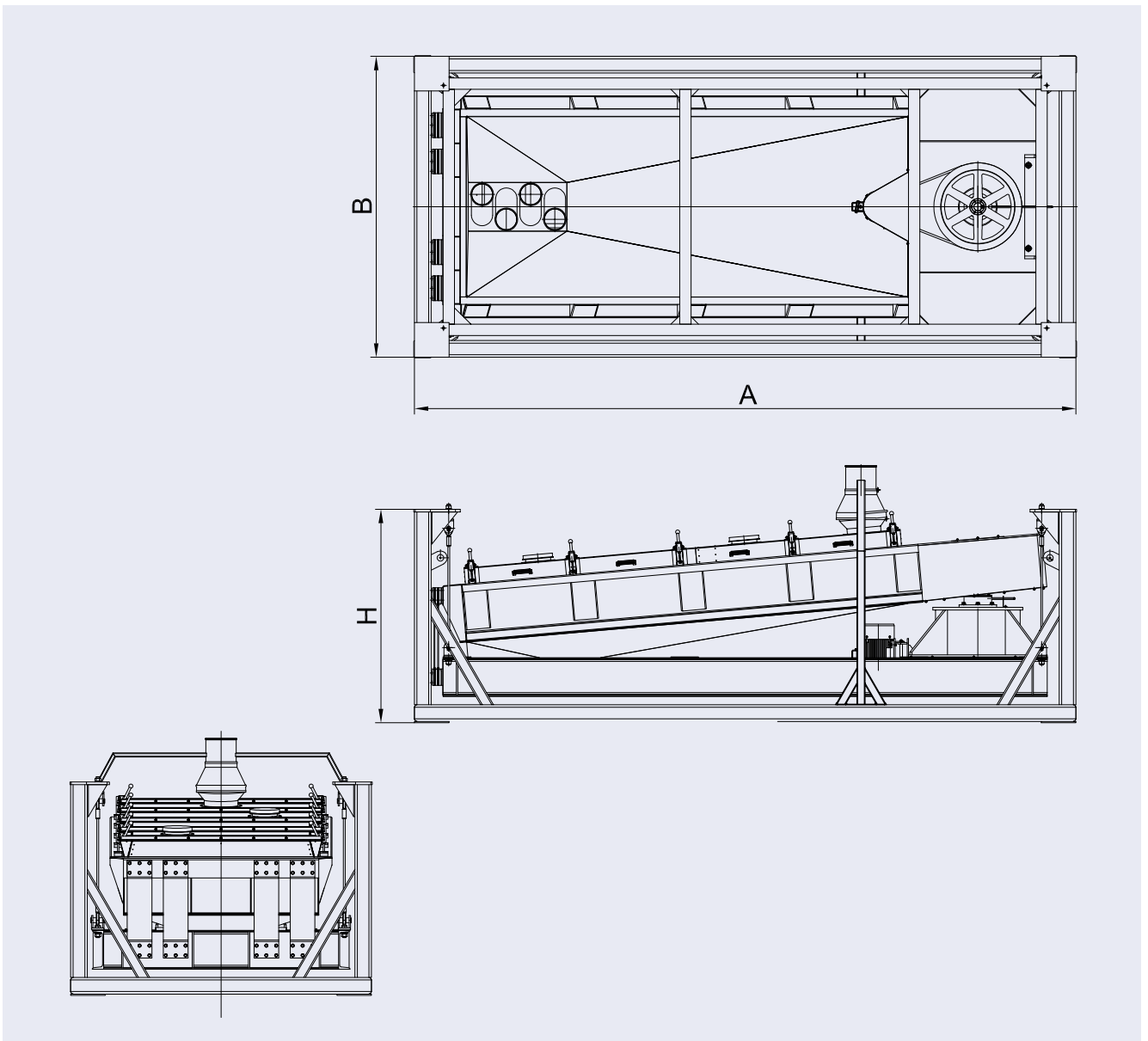
SHANGHAI GYRATORY SCREENER TYPE SGS

**ANDRITZ**

# Screening and classification of pellets

The ANDRITZ gyratory screeners type SGS are designed for classifying and screening pellets from both aqua and animal feed. Inertia generated by the moving screens, combined with elliptical and reciprocating linear motion provide balance, resulting in a smooth operation with reduced noise emission.

Additionally, the SGS series is outfitted with an energy efficient cleaning mechanism that is easy to maintain.



The SGS Series is highly efficient, keeping energy consumption low and maintenance simple.



SGS gyrotary screener

## TECHNICAL SPECIFICATIONS

Model No	Motor Power kW	Main shaft rpm	Screen layer	Screen size <12 mesh mm	Powder material Capacity t/h	Granular material Capacity t/h
SGST80	1.5Kw	260	Two layers	790X1800	3~4	5~6
SGSF80	1.5Kw	260	Three layers	790X1800	3~4	5~6
SGST100	2.2Kw	245	Two layers	1090X2270	5~6	7~8
SGSF100	2.2Kw	245	Three layers	1090X2270	5~6	7~8
SGST120	3Kw	245	Two layers	1290X2320	7~8	9~11
SGSF120	3Kw	245	Three layers	1290X2320	7~8	9~11
SGST140	4Kw	245	Two layers	1390X2800	9~10	12~14
SGSF140	4Kw	245	Three layers	1390X2800	9~10	12~14
SGST153	5.5Kw	245	Two layers	1520X3000	11~12	15~18
SGSF153	5.5Kw	245	Three layers	1520X3000	11~12	15~18
SGST160	7.5Kw	245	Two layers	1590X3200	13~15	19~20
SGSF160	7.5Kw	245	Three layers	1590X3200	13~15	19~20

## DIMENSION SIZE (MM)

Model	A	B	H	Included degree of screen
SGST80/SGSF80	3090	1380	1340	4°-6°
SGST100/SGSF100	3610	1540	1350	4°-6°
SGST120/SGSF120	3900	1840	1450	4°-6°
SGST140/SGSF140	4670	2050	1520	4°-6°
SGST153/SGSF153	5060	2210	1800	4°-6°
SGST160/SGSF160	5270	2340	1830	4°-6°



## GLOBAL SUPPLIER – LOCAL PRESENCE

ANDRITZ Feed & Biofuel is truly a global organization – with local presence. We are represented all over the world. The global market is served from five main locations in Denmark, China, Netherlands, USA, and Slovakia.

In addition, ANDRITZ Feed & Biofuel operates from several strategic regional sales, engineering, and service locations in Australia, Bangladesh, Brazil, Canada, Chile, Dubai, France, Germany, India, Italy, Mexico, Poland, South Africa, Thailand, Turkey, the UK and Vietnam – and is also represented locally by agents and distributors in many other markets.

### **ANDRITZ Feed & Biofuel A/S**

Glentevej 5–7  
6705 Esbjerg, Denmark  
p: +45 72 160 300  
andritz-fb.dk@andritz.com

### **ANDRITZ (Shanghai) Equipment & Engineering Co., LTD**

No.2288, Rongle East Road, Songjiang,  
201613, Shanghai, P.R.China  
p: +86 21 57745781  
andritz-fb.cn@andritz.com

### **AUSTRALIA**

ANDRITZ Feed & Biofuel  
p: +61 3 8773 4888  
andritz-fb.au@andritz.com

### **CHINA**

ANDRITZ Feed & Biofuel  
p: +86 21 5774 5781  
andritz-fb.cn@andritz.com

### **ITALY**

ANDRITZ Feed & Biofuel  
p: +39 025 743 01 30  
andritz-fb.it@andritz.com

### **THAILAND**

ANDRITZ Feed & Biofuel  
p: +66 2258 5528  
andritz-fb.dk@andritz.com

### **BANGLADESH**

ANDRITZ Feed & Biofuel  
p: +880 22 222 64 800  
andritz-fb.bd@andritz.com

### **DUBAI**

ANDRITZ Feed & Biofuel  
p: +971 4 214 6546  
andritz-fb.uae@andritz.com

### **MEXICO**

ANDRITZ Feed & Biofuel  
p: +52 229 178 38 45  
andritz-fb.mx@andritz.com

### **TURKEY**

ANDRITZ Feed & Biofuel  
p: +90 232 570 38 00  
andritz-fb.tr@andritz.com

### **BRAZIL**

ANDRITZ Feed & Biofuel  
p: +55 47 3387 9146  
andritz-fb.br@andritz.com

### **FRANCE**

ANDRITZ Feed & Biofuel  
p: +33 24 75 06 364  
andritz-fb.fr@andritz.com

### **NETHERLANDS**

ANDRITZ Feed & Biofuel  
p: +31 40 262 7777  
andritz-fb.nl@andritz.com

### **UK**

ANDRITZ Feed & Biofuel  
p: +44 1482 825 119  
andritz-fb.uk@andritz.com

### **CANADA**

ANDRITZ Feed & Biofuel  
p: +1 519 676 7057  
anbosales@andritz.com

### **GERMANY**

ANDRITZ Feed & Biofuel  
p: +49 2104 91970  
andritz-fb.de@andritz.com

### **POLAND**

ANDRITZ Feed & Biofuel  
p: +48 60 906 1037  
andritz-fb.pl@andritz.com

### **USA**

ANDRITZ Feed & Biofuel  
p: +1 570 546 1253  
andritz-fb.us@andritz.com

### **CHILE**

ANDRITZ Feed & Biofuel  
p: +56 2 2246 24 600  
andritz-fb.cl@andritz.com

### **INDIA**

ANDRITZ Feed & Biofuel  
p: +91 87544 15287  
andritz-fb.india@andritz.com

### **SOUTH AFRICA**

ANDRITZ Feed & Biofuel  
p: +27 82 781 0808  
andritz-fb.dk@andritz.com

### **VIETNAM**

ANDRITZ Feed & Biofuel  
p: +84 28 6253 9434  
andritz-fb.vi@andritz.com



**ANDRITZ.COM/FT**

All data, information, statements, photographs and graphic illustrations in this leaflet are without any obligation and raise no liabilities to or form part of any sales contracts of ANDRITZ AG or any affiliates for equipment and/or systems referred to herein. © ANDRITZ GROUP 2025. All rights reserved. No part of this copyrighted work may be reproduced, modified or distributed in any form or by any means, or stored in any database or retrieval system, without the prior written permission of ANDRITZ AG or its affiliates. Any such unauthorized use for any purpose is a violation of the relevant copyright laws. ANDRITZ AG, Statterger Strasse 18, 8045 Graz, Austria.



3008 GB