



# HIGH PERFORMANCE POWDER CLASSIFICATION

SHANGHAI PLAN SIFTER TYPE SPS

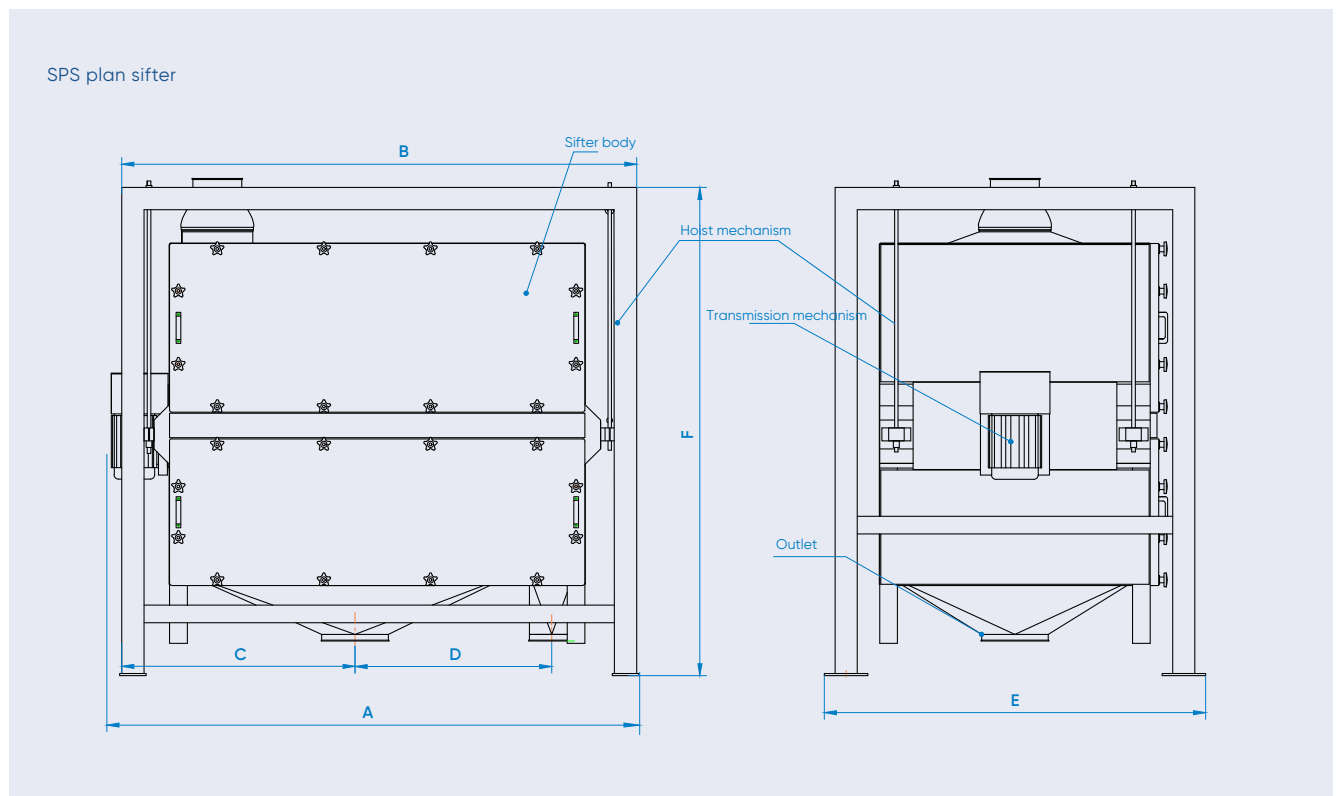
**ANDRITZ**

# High performance powder classification

The ANDRITZ SPS series plan sifter is an efficient plane-rotary grading sifter widely used for powder or pellets. It is an effective way to remove impurities in applications like food, pharmaceutical, starch, feed, chemical, mining, flour milling, and any other industrial process. The plan sifter is especially useful in situations where two kinds of fine powder material classification is necessary.

## ANDRITZ SPS SERIES PLAN SIFTER FEATURES:

- High capacity, low energy consumption
- Compact structure
- A non-upright shaft transmission for easy assembly and operation
- Reliable operation with low noise output
- Sifter body constructed using pipes for reinforced strength and rigidity
- Sifter area equipped with screens of various tilting degrees to improve capacity
- Screen and frame can be easily removed for cleaning and maintenance
- A flexible connection structure between the drive and main machine make disassembling and reassembling simple
- A specialized hoist for the sifter body allows for easy changes to sifting capacity
- The tilting structure is designed for improving the capacity of material receiving base plates



- Optional stainless steel construction helps reduce corrosion and blockages
- Screens are wrapped in wood treated with a specialized steam process which creates a strong and durable frame
- Emissions and operation costs are reduced



SPS plan sifter

The plan sifter is especially useful in situations where two kinds of material classification is necessary and when grading of the ultra-micro powder inspection process takes place.

### TECHNICAL SPECIFICATIONS

Model	Capacity t/h	Power kW	Rotary Diameter mm	Weight kg
SPS90	5-7	1.5	55-65	1095
SPS110	6-8	1.5	55-65	1250
SPS120	9-13	1.5	55-65	1585
SPS200	14-16	2.2	55-65	2045

### DIMENSION SIZE (MM)

Model	A	B	C	D	E	F
SPS90	2210	2150	975	810	1520	2100
SPS110	2360	2300	1050	885	1720	2100
SPS120	2660	2500	1150	985	1820	2260
SPS200	1970	1800	715	1015	2190	2045



## GLOBAL SUPPLIER – LOCAL PRESENCE

ANDRITZ Feed & Biofuel is truly a global organization – with local presence. We are represented all over the world. The global market is served from five main locations in Denmark, China, Netherlands, USA, and Slovakia.

In addition, ANDRITZ Feed & Biofuel operates from several strategic regional sales, engineering, and service locations in Australia, Bangladesh, Brazil, Canada, Chile, Dubai, France, Germany, India, Italy, Mexico, Poland, South Africa, Thailand, Turkey, the UK and Vietnam – and is also represented locally by agents and distributors in many other markets.

### ANDRITZ Feed & Biofuel A/S

Glentevej 5–7  
6705 Esbjerg, Denmark  
p: +45 72 160 300  
andritz-fb.dk@andritz.com

### ANDRITZ (Shanghai) Equipment & Engineering Co., LTD

No.2288, Rongle East Road, Songjiang,  
201613, Shanghai, P.R.China  
p: +86 21 57745781  
andritz-fb.cn@andritz.com

### AUSTRALIA

ANDRITZ Feed & Biofuel  
p: +61 3 8773 4888  
andritz-fb.au@andritz.com

### CHINA

ANDRITZ Feed & Biofuel  
p: +86 21 5774 5781  
andritz-fb.cn@andritz.com

### ITALY

ANDRITZ Feed & Biofuel  
p: +39 025 743 01 30  
andritz-fb.it@andritz.com

### THAILAND

ANDRITZ Feed & Biofuel  
p: +66 2258 5528  
andritz-fb.dk@andritz.com

### BANGLADESH

ANDRITZ Feed & Biofuel  
p: +880 22 222 64 800  
andritz-fb.bd@andritz.com

### DUBAI

ANDRITZ Feed & Biofuel  
p: +971 4 214 6546  
andritz-fb.uae@andritz.com

### MEXICO

ANDRITZ Feed & Biofuel  
p: +52 229 178 38 45  
andritz-fb.mx@andritz.com

### TURKEY

ANDRITZ Feed & Biofuel  
p: +90 232 570 38 00  
andritz-fb.tr@andritz.com

### BRAZIL

ANDRITZ Feed & Biofuel  
p: +55 47 3387 9146  
andritz-fb.br@andritz.com

### FRANCE

ANDRITZ Feed & Biofuel  
p: +33 24 75 06 364  
andritz-fb.fr@andritz.com

### NETHERLANDS

ANDRITZ Feed & Biofuel  
p: +31 40 262 7777  
andritz-fb.nl@andritz.com

### UK

ANDRITZ Feed & Biofuel  
p: +44 1482 825 119  
andritz-fb.uk@andritz.com

### CANADA

ANDRITZ Feed & Biofuel  
p: +1 519 676 7057  
anbosales@andritz.com

### GERMANY

ANDRITZ Feed & Biofuel  
p: +49 2104 91970  
andritz-fb.de@andritz.com

### POLAND

ANDRITZ Feed & Biofuel  
p: +48 60 906 1037  
andritz-fb.pl@andritz.com

### USA

ANDRITZ Feed & Biofuel  
p: +1 570 546 1253  
andritz-fb.us@andritz.com

### CHILE

ANDRITZ Feed & Biofuel  
p: +56 2 2246 24 600  
andritz-fb.cl@andritz.com

### INDIA

ANDRITZ Feed & Biofuel  
p: +91 87544 15287  
andritz-fb.india@andritz.com

### SOUTH AFRICA

ANDRITZ Feed & Biofuel  
p: +27 82 781 0808  
andritz-fb.dk@andritz.com

### VIETNAM

ANDRITZ Feed & Biofuel  
p: +84 28 6253 9434  
andritz-fb.vi@andritz.com



[ANDRITZ.COM/FT](https://www.andritz.com/ft)

All data, information, statements, photographs and graphic illustrations in this leaflet are without any obligation and raise no liabilities to or form part of any sales contracts of ANDRITZ AG or any affiliates for equipment and/or systems referred to herein. © ANDRITZ GROUP 2025. All rights reserved. No part of this copyrighted work may be reproduced, modified or distributed in any form or by any means, or stored in any database or retrieval system, without the prior written permission of ANDRITZ AG or its affiliates. Any such unauthorized use for any purpose is a violation of the relevant copyright laws. ANDRITZ AG, Stattegger Strasse 18, 8045 Graz, Austria.

