

A

ADVANCED EXTRUSION TECHNOLOGY

SHANGHAI EXTRUDER TYPE SREX

ANDRITZ

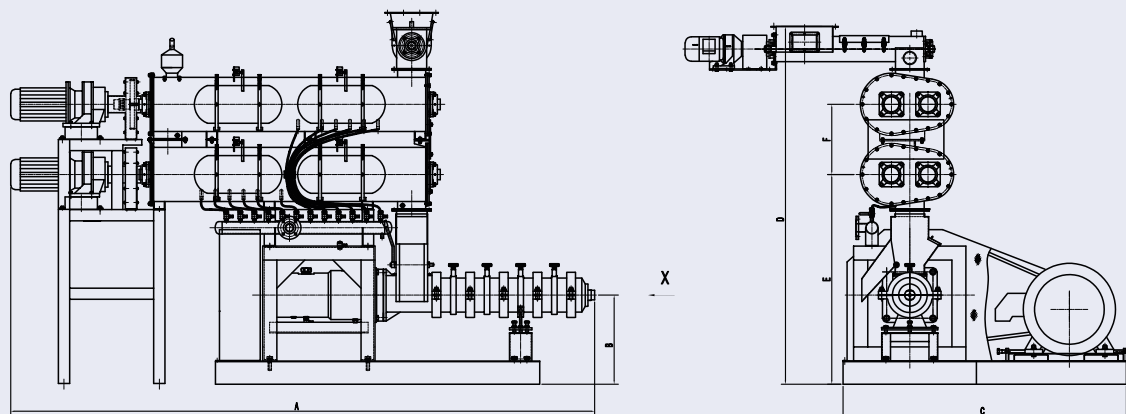
Advanced extrusion technology

ANDRITZ extruder type SREX is a new generation extruder meeting international standards while built on a simple structure, designed to be reliable, wear resistant, and easy to install and maintain. The SREX is suitable for corn, soybeans and many other types of raw materials.

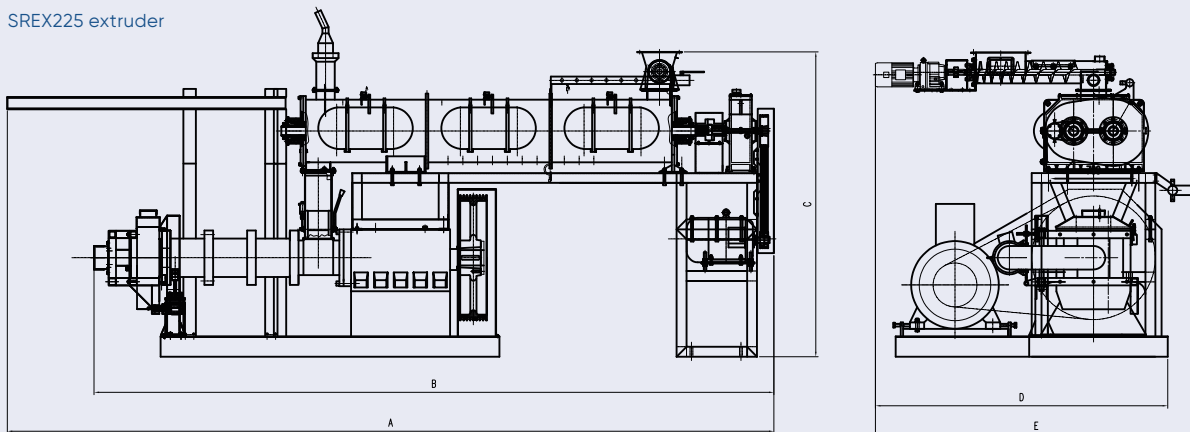
STEAM EXTRUDER FEATURES

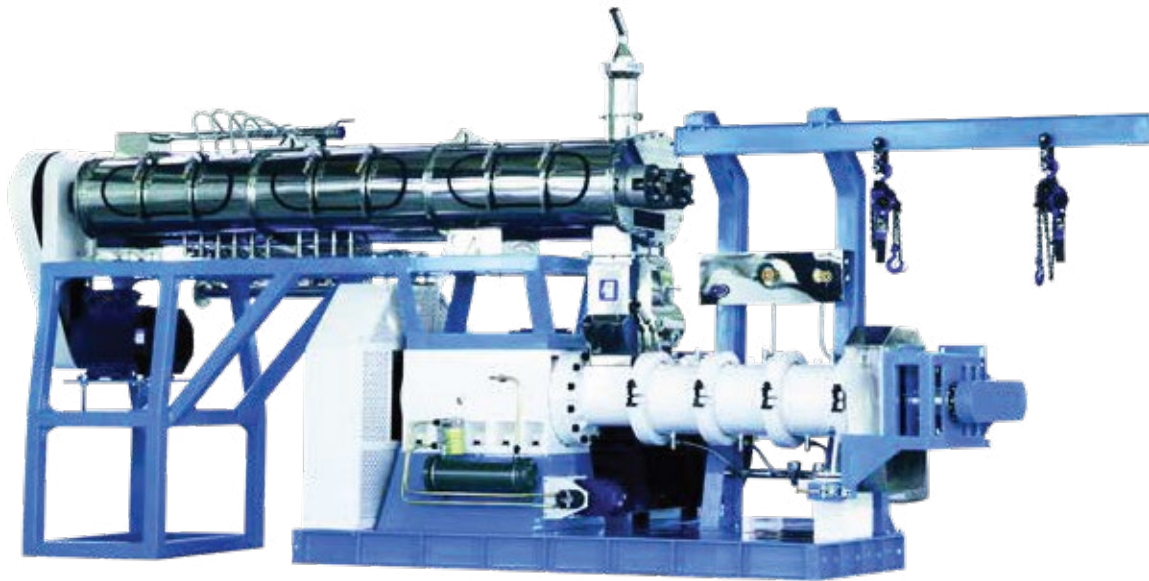
- High performance conditioner with stainless steel jacket.
- Inverter controlled feeder features accurate feeding, steady flowing and anti-block.
- Combined main shaft can adapt a variety of materials.
- Used primarily for extruding soybeans, corn, and animal feed, in addition to keeping bran fresh and detoxification of cottonseed and castor cake.
- Highly efficient with productivity 15%-20% higher than other similar types of extruders.

SREX200 extruder



SREX225 extruder





SREX extruder

SREX200 EXTRUDER

- Enhance adaptability. It can process soybean, corn, compound feed continuously and smoothly with high performance.
- Small changes in configuration make it easy to switch between extruder and expander for different purpose.
- Particularly suitable for large and middle scale feed mills to extrude raw materials, expand feeds for poultry and livestock, or form expanding-pelleting section with pellet mill.

SREX225 EXTRUDER

- Super DDC make optimal conditioning to feed stuff.
- Jacket design barrel with liner can achieve heating/cooling function.
- Modular main-shaft and different outlet design can extrude and expand various materials.
- Significantly increase the output for starch-based materials with medium cooking degree.

TECHNICAL SPECIFICATIONS

Model	Main power	Conditioner power	Feeder power	Cutter power	Capacity		Weight
	kW	kW	kW	kW	T/H		
					Soybean	Corn	
SREX200	160	5.5 x 2	1.5	4	4.0-5.0	1.2-2.0	3500
SREX225	250	18.5	2.2	7.5	6.0-7.0	4.0-5.0	5500

DIMENSION SIZE (MM)

Model	A	B	C	D	E	F
SREX200	4165	635	2020	2550	2550	2550
SREX225	6198	5496	2465	2362	2550	2550

For reference only, the actual size is subject to the selected configuration.



GLOBAL SUPPLIER – LOCAL PRESENCE

ANDRITZ Feed & Biofuel is truly a global organization – with local presence. We are represented all over the world. The global market is served from five main locations in Denmark, China, Netherlands, USA, and Slovakia.

In addition, ANDRITZ Feed & Biofuel operates from several strategic regional sales, engineering, and service locations in Australia, Bangladesh, Brazil, Canada, Chile, Dubai, France, Germany, India, Italy, Mexico, Poland, South Africa, Thailand, Turkey, the UK and Vietnam – and is also represented locally by agents and distributors in many other markets.

ANDRITZ Feed & Biofuel A/S

Glentevej 5–7
6705 Esbjerg, Denmark
p: +45 72 160 300
andritz-fb.dk@andritz.com

ANDRITZ (Shanghai) Equipment & Engineering Co., LTD

No.2288, Rongle East Road, Songjiang,
201613, Shanghai, P.R.China
p: +86 21 57745781
andritz-fb.cn@andritz.com

AUSTRALIA

ANDRITZ Feed & Biofuel
p: +61 3 8773 4888
andritz-fb.au@andritz.com

CHINA

ANDRITZ Feed & Biofuel
p: +86 21 5774 5781
andritz-fb.cn@andritz.com

ITALY

ANDRITZ Feed & Biofuel
p: +39 025 743 01 30
andritz-fb.it@andritz.com

THAILAND

ANDRITZ Feed & Biofuel
p: +66 2258 5528
andritz-fb.dk@andritz.com

BANGLADESH

ANDRITZ Feed & Biofuel
p: +880 22 222 64 800
andritz-fb.bd@andritz.com

DUBAI

ANDRITZ Feed & Biofuel
p: +971 4 214 6546
andritz-fb.uae@andritz.com

MEXICO

ANDRITZ Feed & Biofuel
p: +52 229 178 38 45
andritz-fb.mx@andritz.com

TURKEY

ANDRITZ Feed & Biofuel
p: +90 232 570 38 00
andritz-fb.tr@andritz.com

BRAZIL

ANDRITZ Feed & Biofuel
p: +55 47 3387 9146
andritz-fb.br@andritz.com

FRANCE

ANDRITZ Feed & Biofuel
p: +33 24 75 06 364
andritz-fb.fr@andritz.com

NETHERLANDS

ANDRITZ Feed & Biofuel
p: +31 40 262 7777
andritz-fb.nl@andritz.com

UK

ANDRITZ Feed & Biofuel
p: +44 1482 825 119
andritz-fb.uk@andritz.com

CANADA

ANDRITZ Feed & Biofuel
p: +1 519 676 7057
anbosales@andritz.com

GERMANY

ANDRITZ Feed & Biofuel
p: +49 2104 91970
andritz-fb.de@andritz.com

POLAND

ANDRITZ Feed & Biofuel
p: +48 60 906 1037
andritz-fb.pl@andritz.com

USA

ANDRITZ Feed & Biofuel
p: +1 570 546 1253
andritz-fb.us@andritz.com

CHILE

ANDRITZ Feed & Biofuel
p: +56 2 2246 24 600
andritz-fb.cl@andritz.com

INDIA

ANDRITZ Feed & Biofuel
p: +91 87544 15287
andritz-fb.india@andritz.com

SOUTH AFRICA

ANDRITZ Feed & Biofuel
p: +27 82 781 0808
andritz-fb.dk@andritz.com

VIETNAM

ANDRITZ Feed & Biofuel
p: +84 28 6253 9434
andritz-fb.vi@andritz.com



[ANDRITZ.COM/FT](https://www.andritz.com/ft)

All data, information, statements, photographs and graphic illustrations in this leaflet are without any obligation and raise no liabilities to or form part of any sales contracts of ANDRITZ AG or any affiliates for equipment and/or systems referred to herein. © ANDRITZ GROUP 2025. All rights reserved. No part of this copyrighted work may be reproduced, modified or distributed in any form or by any means, or stored in any database or retrieval system, without the prior written permission of ANDRITZ AG or its affiliates. Any such unauthorized use for any purpose is a violation of the relevant copyright laws. ANDRITZ AG, Stattegger Strasse 18, 8045 Graz, Austria.

